

# PRODUCT FEATURES

## CONSTRUCTION

- 7MM POLYPROPYLENE HONEYCOMB PLASTIC LIGHTWEIGHT PANEL
- PENN ELCOM HARDWARE

## INSTALLED EQUIPMENT (INCLUDED)

- 2X RECESSED HANDLES
- 2X EDGE HANDLES
- 4X LATCHES
- 2X CORNER CASTORS
- 1X PULL-OUT HANDLE

## FEATURES

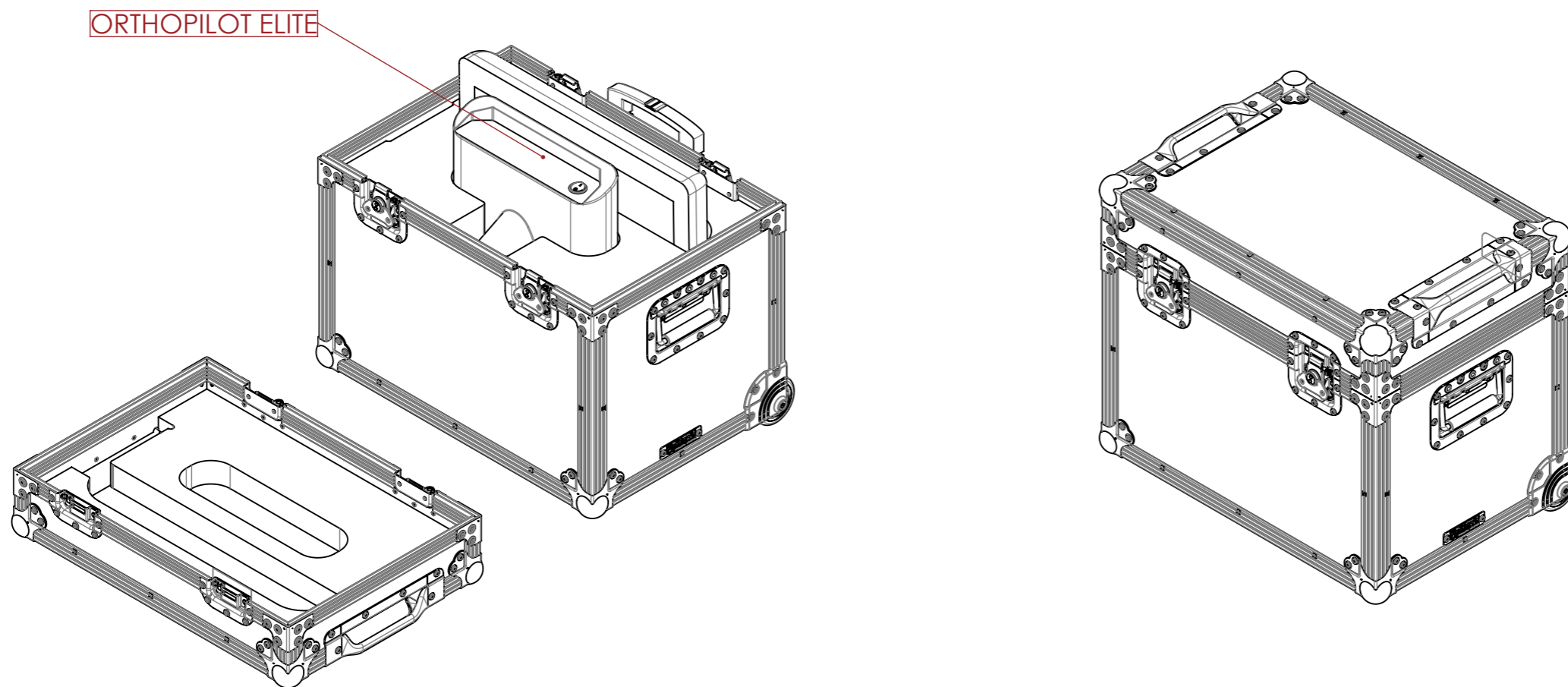
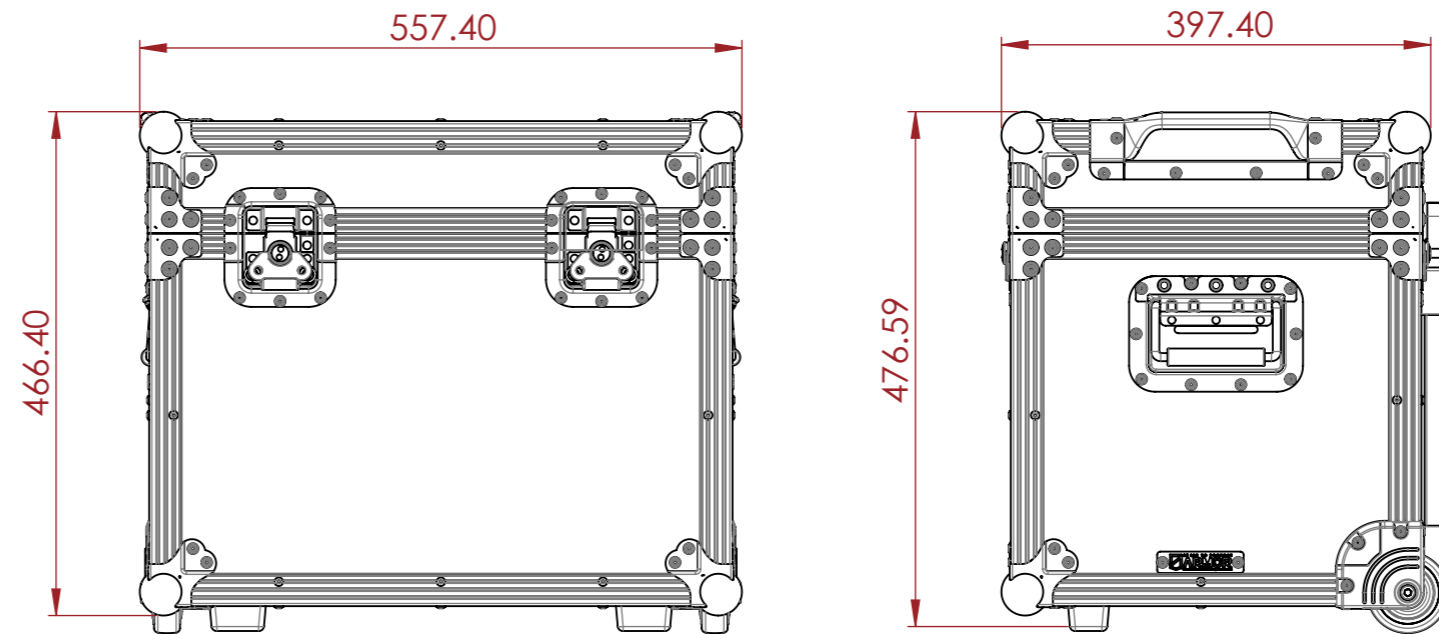
- LIFT-OFF LID DESIGN
- TRUCK FRIENDLY DIMENSIONS

## KEY MEASUREMENTS

- N/A

## DESIGN SPECIFICATIONS

- DEDICATED SPACE FOR STORING 1X ORTHOPILOT ELITE



NOTES:  
UNLESS SPECIFIED IN THE DRAWING,  
ALL PRODUCTS DISPLAYED IN THIS  
DRAWING OTHER THAN THE CASE  
ITSELF IS NOT PART OF OUR PRODUCT  
OFFERING.

ESTIMATED WEIGHT (CASE ONLY):

10.84 KG

ITEM CODE:

LOL-ORT-ELITE

DRAWN BY:

HA

CHECKED BY:

AS

SCALE:

NTS



MAIL : [sales@armorcases.com.au](mailto:sales@armorcases.com.au)  
WEB : [www.armorcases.com.au](http://www.armorcases.com.au)