

YOUR SIGNATURE IS REQUIRED FOR APPROVAL BEFORE ANY RELEASE OF PRODUCTION DRAWINGS

SIGNATURE

DATE

**TOLERANCES**

CUTOUTS +/- 1/16

OVERALL FOAM THICKNESS & CAVITY DEPTHS +/- 1/8

GLUED TO CASE TOP  BASE  VELCRO  EXTRA

REVISIONS

REV.	DESCRIPTION	DATE	INIT
a.01	DESIGN MODIFICATIONS	2022-09-09	DB
a.02	MODIFIED THUMB CUT	2022-09-13	DB
p.00	MISE EN PRODUCTION VERSION a.02	2022-09-16	WV

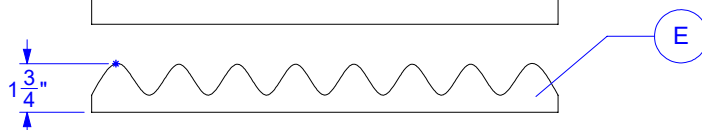
LID TRAY

CV STANDARD



LID TRAY - ELEVATION

631-9253



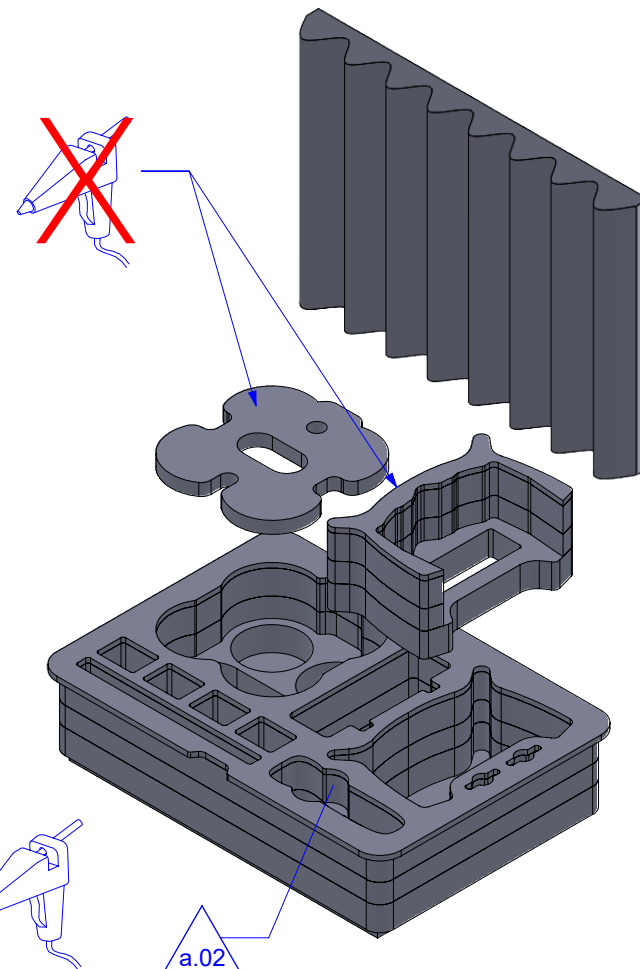
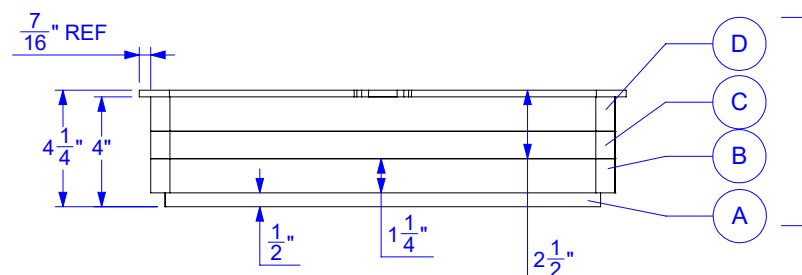
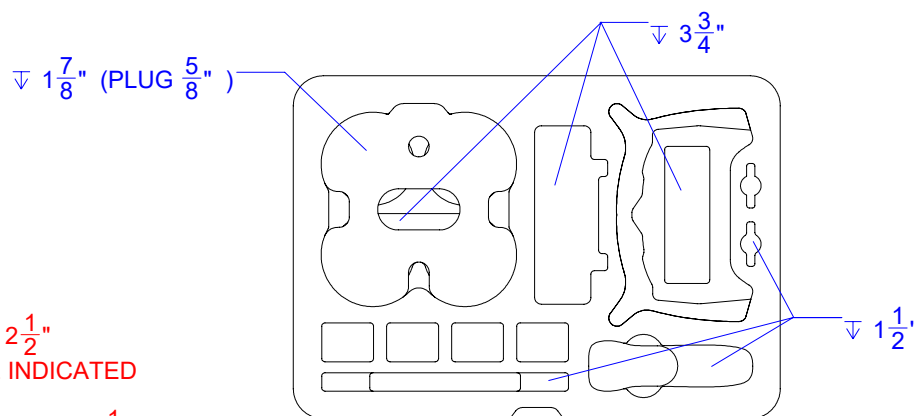
BASE TRAY

CAVITIES ARE 2 1/2"  
UNLESS OTHERWISE INDICATED

TOUTES LES CAVITÉES ONT 2 1/2"  
SAUF CELLES INDIQUÉES

BASE TRAY - ELEVATION

631-925-C0745-B



FOAM DENSITY MAY VARY  
DIMENSIONS ARE IN INCHES UNLESS OTHERWISE SPECIFIED

YOUR SIGNATURE IS REQUIRED FOR APPROVAL BEFORE ANY RELEASE OF PRODUCTION DRAWINGS

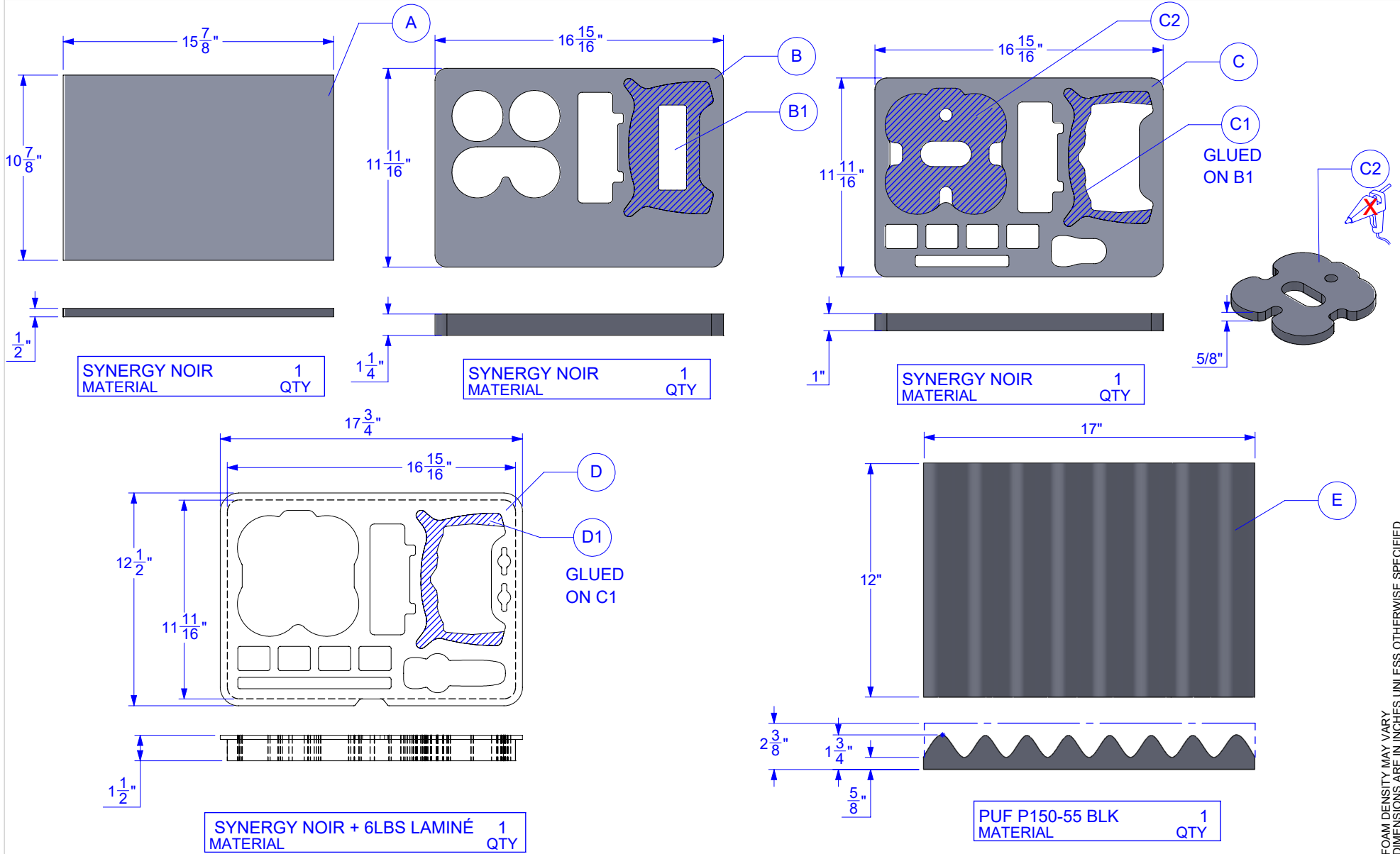
SIGNATURE

DATE

**TOLERANCES**

CUTOUTS +/- 1/16

OVERALL FOAM THICKNESS & CAVITY DEPTHS +/- 1/8



FOAM DENSITY MAY VARY  
DIMENSIONS ARE IN INCHES UNLESS OTHERWISE SPECIFIED

