

YOUR SIGNATURE IS REQUIRED FOR APPROVAL BEFORE ANY RELEASE OF PRODUCTION DRAWINGS

TOLERANCES

CUTOUTS +/- 1/16

OVERALL FOAM THICKNESS & CAVITY DEPTHS +/- 1/8

SIGNATURE

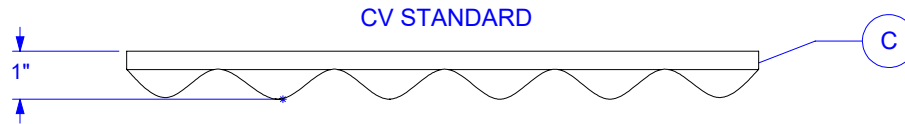
DATE

GLUED TO CASE TOP BASE VELCRO EXTRA

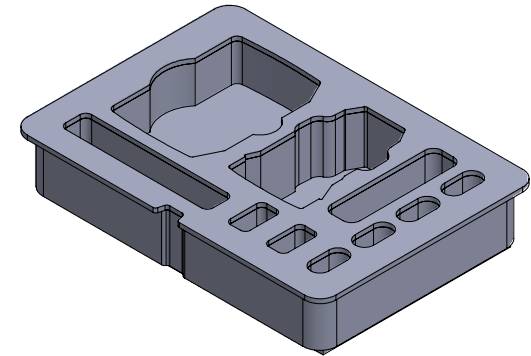
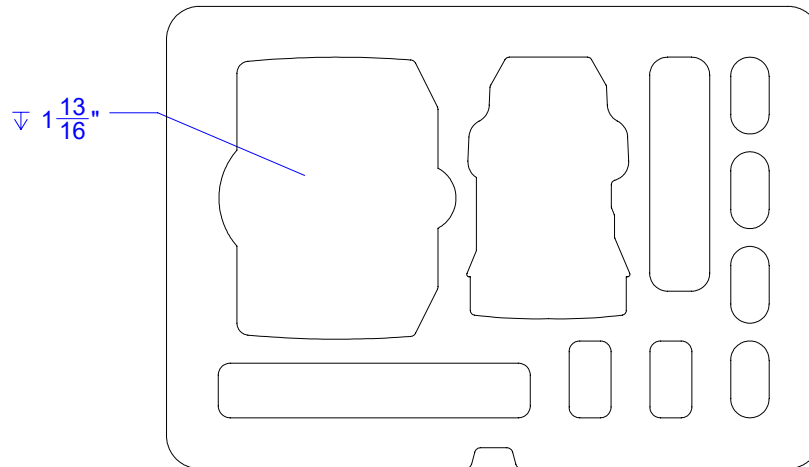
REVISIONS

REV.	DESCRIPTION	DATE	INIT
a.01	GENERAL MODIFICATION	11/11/2020	MC
a.02	FILLER ADDED	11/13/2020	MC
p.00	MISE EN PRODUCTION DE LA VERSION a.02	11/13/2020	MC

LID TRAY - ELEVATION



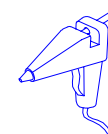
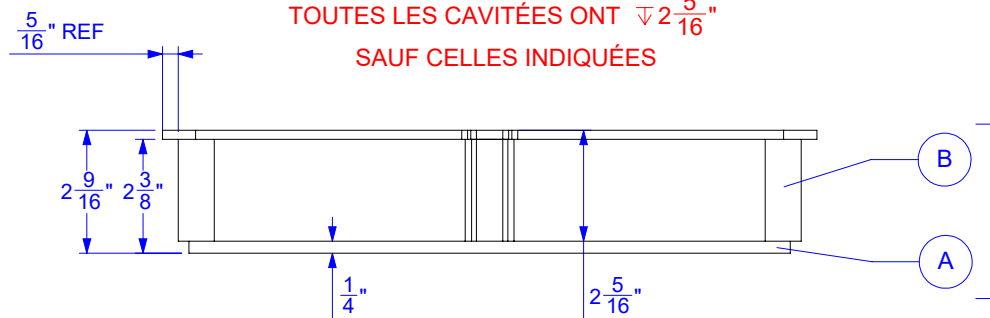
BASE TRAY



CAVITIES ARE $\nabla 2 \frac{5}{16}$ "
 UNLESS OTHERWISE INDICATED

TOUTES LES CAVITÉES ONT $\nabla 2 \frac{5}{16}$ "
 SAUF CELLES INDIQUÉES

BASE TRAY - ELEVATION



FOAM DENSITY MAY VARY
 DIMENSIONS ARE IN INCHES UNLESS OTHERWISE SPECIFIED

YOUR SIGNATURE IS REQUIRED FOR APPROVAL BEFORE ANY RELEASE OF PRODUCTION DRAWINGS

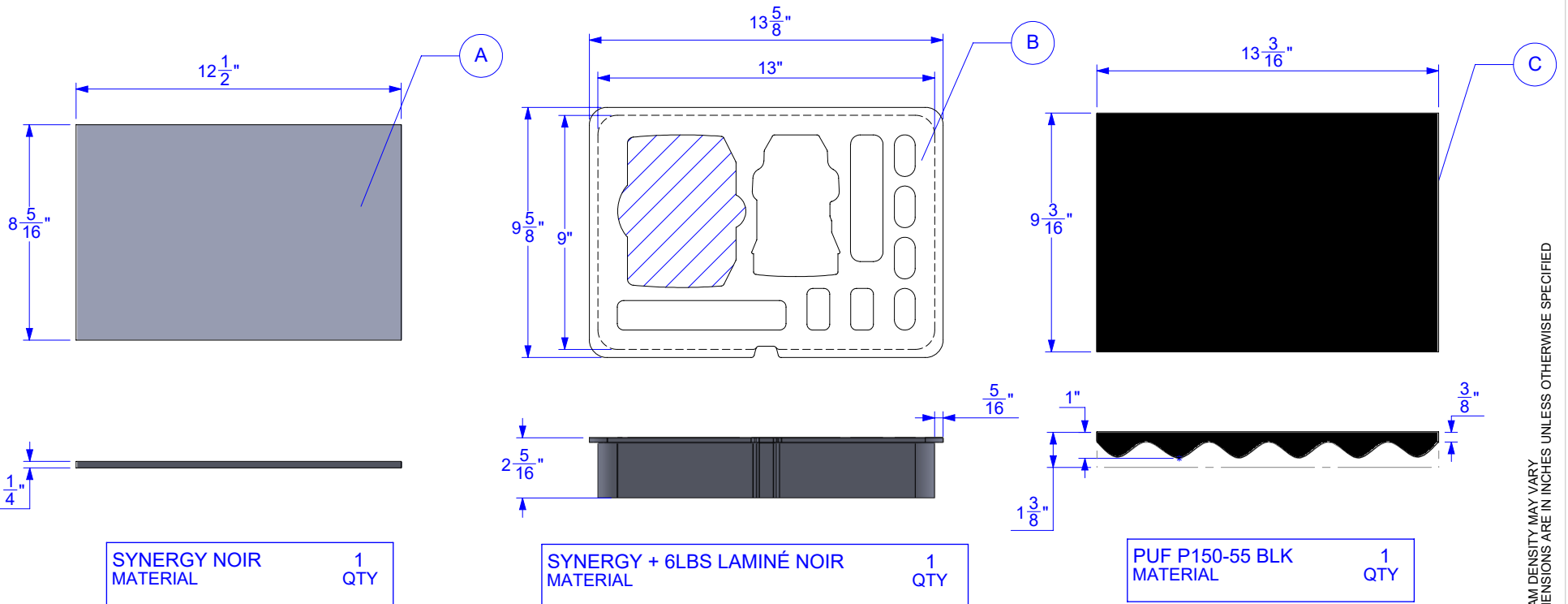
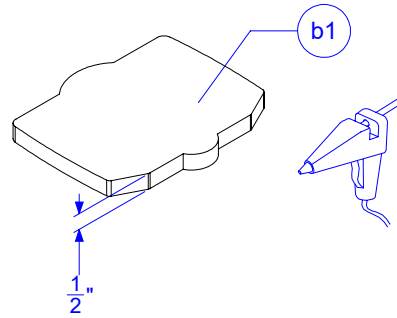
TOLERANCES

CUTOUTS +/- 1/16

OVERALL FOAM THICKNESS & CAVITY DEPTHS +/- 1/8

SIGNATURE

DATE



SYNERGY NOIR MATERIAL 1 QTY

SYNERGY + 6LBS LAMINÉ NOIR MATERIAL 1 QTY

PUF P150-55 BLK MATERIAL 1 QTY

FOAM DENSITY MAY VARY. DIMENSIONS ARE IN INCHES UNLESS OTHERWISE SPECIFIED



1059, boulevard des Entreprises Ouest
 Terrebonne, QC Canada J6Y 1V2
 Tel 450-628-1006 1.800.783.6883
 Fax 450-628-7801 1.888.783.6883
 www.plasticase.com

MAVIC MINI FLY MORE 2

910_NANUK

PROJECT

PRODUCT

20283FV.910_PLASTICASE_MAVIC_MINI_FLY_MORE_2_p.00

DWG ID

STATUS

YOUR SIGNATURE IS REQUIRED FOR APPROVAL BEFORE ANY RELEASE OF PRODUCTION DRAWINGS

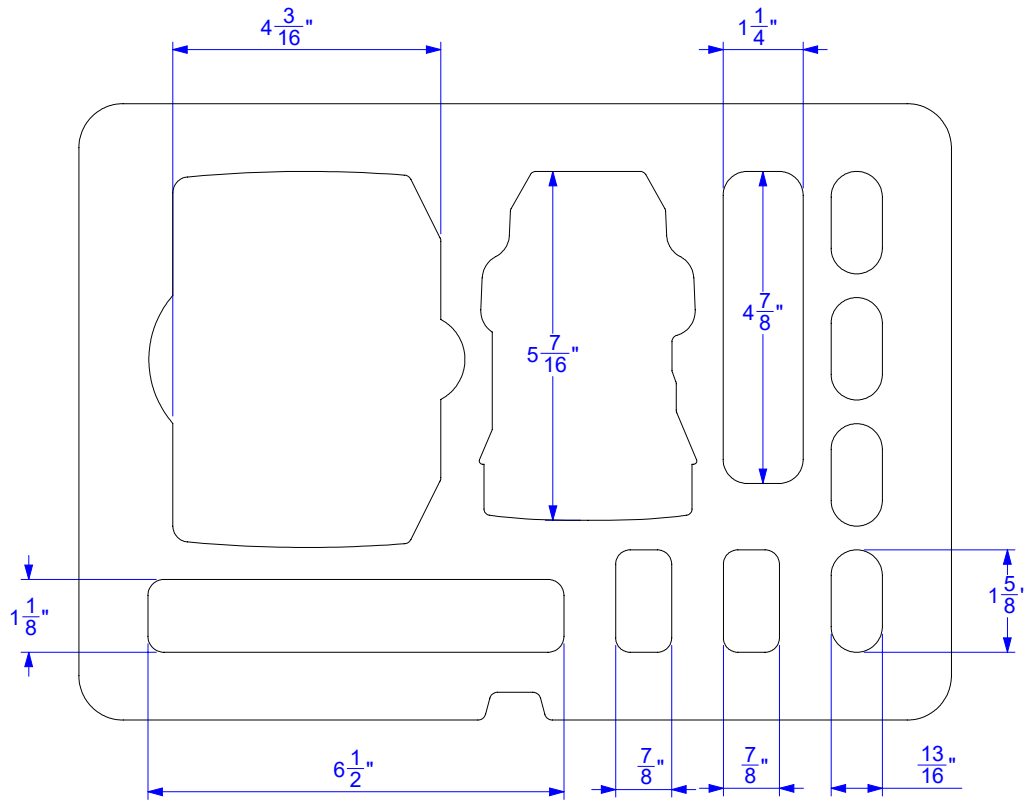
TOLERANCES

CUTOUTS +/- 1/16

OVERALL FOAM THICKNESS & CAVITY DEPTHS +/- 1/8

SIGNATURE

DATE



FOAM DENSITY MAY VARY. DIMENSIONS ARE IN INCHES UNLESS OTHERWISE SPECIFIED

PROPRIETARY AND CONFIDENTIAL

THE INFORMATION CONTAINED IN THIS DRAWING IS THE SOLE & EXCLUSIVE PROPERTY OF PLASTICASE INC. ANY REPRODUCTION IN PART OR WHOLE WITHOUT THE WRITTEN PERMISSION OF PLASTICASE INC. IS PROHIBITED.

DO NOT SCALE DRAWING
 SHEET SCALE 1:3

Frank Vitiello
 REPRESENTATIVE

Mathilde Cote
 DESIGNER

2020-12-21
 DATE

3/5