

YOUR SIGNATURE IS REQUIRED FOR APPROVAL BEFORE ANY RELEASE OF PRODUCTION DRAWINGS

SIGNATURE

DATE

TOLERANCES

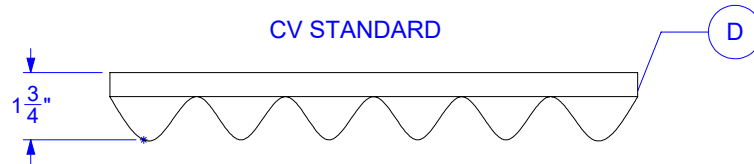
CUTOUTS +/- 1/16

OVERALL FOAM THICKNESS & CAVITY DEPTHS +/- 1/8

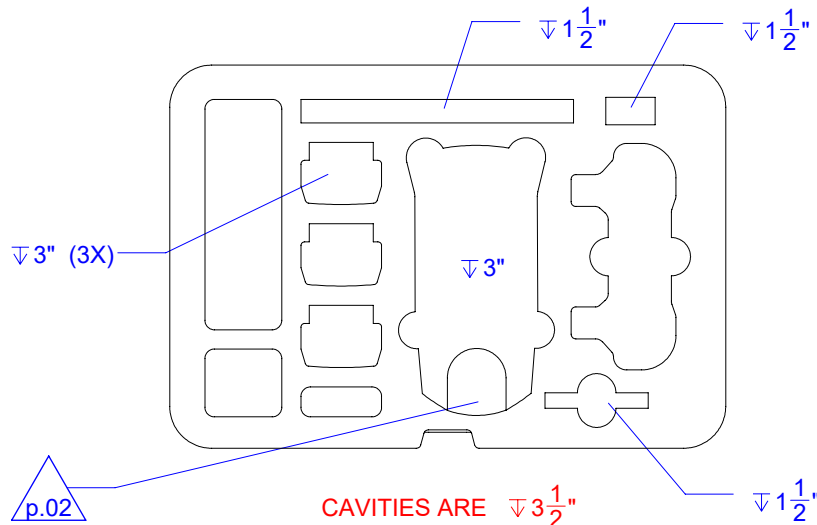
GLUED TO CASE TOP BASE VELCRO EXTRA

REVISIONS			
REV.	DESCRIPTION	DATE	INIT
a.01	MODIFICATIONS GENERALES	20-05-11	KD
p.00	MISE EN PRODUCTION DE LA VERSION a.01	20-05-11	KD
p.01	MODIFICATION POUR LA PRODUCTION	20-05-12	KD
p.02	MODIFICATION DE LA CAVITE DU DRONE	2020-09-30	SC

LID TRAY - ELEVATION

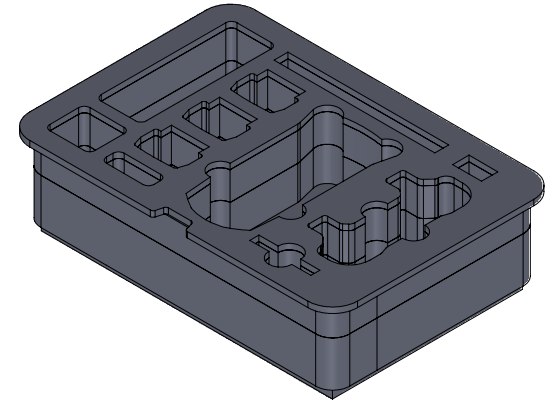


BASE TRAY

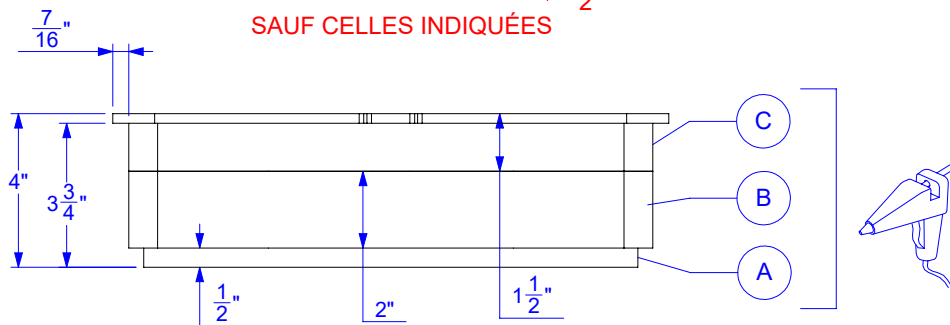


CAVITIES ARE $\nabla 3\frac{1}{2}$ "
UNLESS OTHERWISE INDICATED

TOUTES LES CAVITÉES ONT $\nabla 3\frac{1}{2}$ "
SAUF CELLES INDIQUÉES



BASE TRAY - ELEVATION



FOAM DENSITY MAY VARY
DIMENSIONS ARE IN INCHES UNLESS OTHERWISE SPECIFIED

YOUR SIGNATURE IS REQUIRED FOR APPROVAL BEFORE ANY RELEASE OF PRODUCTION DRAWINGS

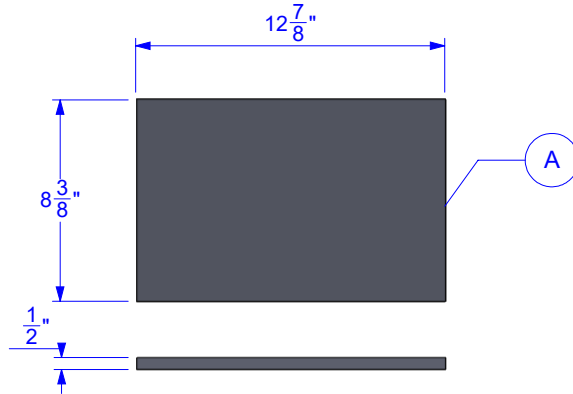
TOLERANCES

CUTOUTS +/- 1/16

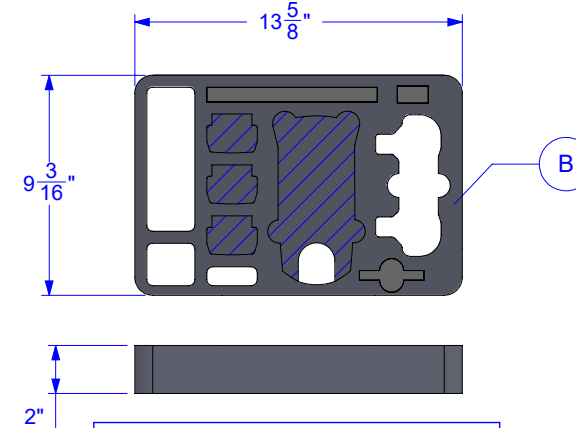
OVERALL FOAM THICKNESS & CAVITY DEPTHS +/- 1/8

SIGNATURE

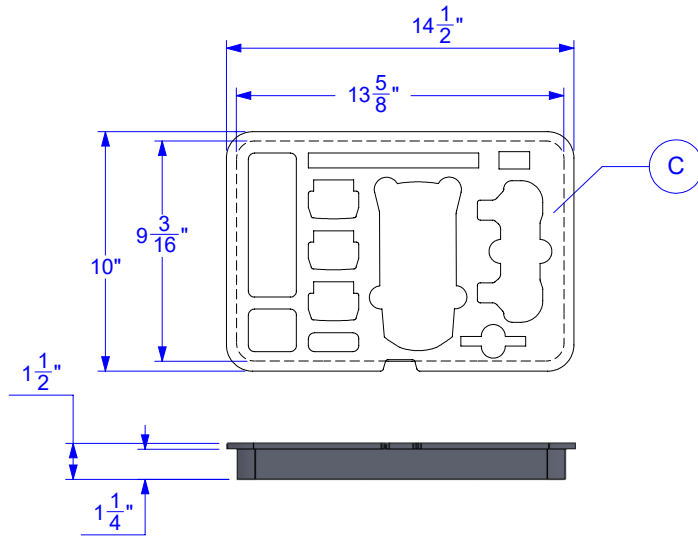
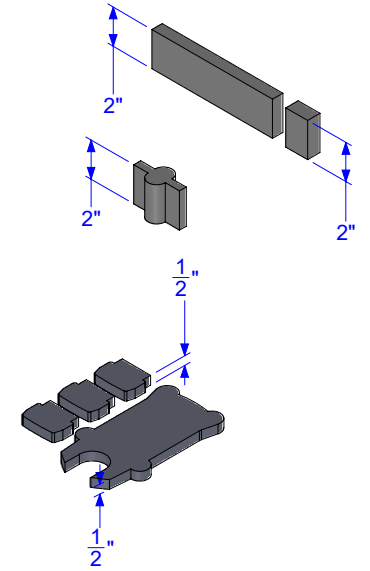
DATE



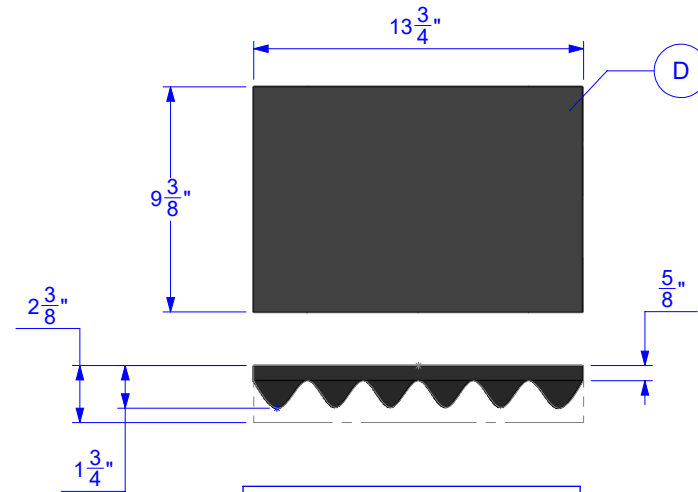
SYNERGY 2.0LBS NOIR MATERIAL 1 QTY



SYNERGY 2.0LBS NOIR MATERIAL 1 QTY



SYNERGY 2.0LBS NOIR MATERIAL 1 QTY



PUF P150-55 BLK MATERIAL 1 QTY

FOAM DENSITY MAY VARY. DIMENSIONS ARE IN INCHES UNLESS OTHERWISE SPECIFIED

YOUR SIGNATURE IS REQUIRED FOR APPROVAL BEFORE ANY RELEASE OF PRODUCTION DRAWINGS

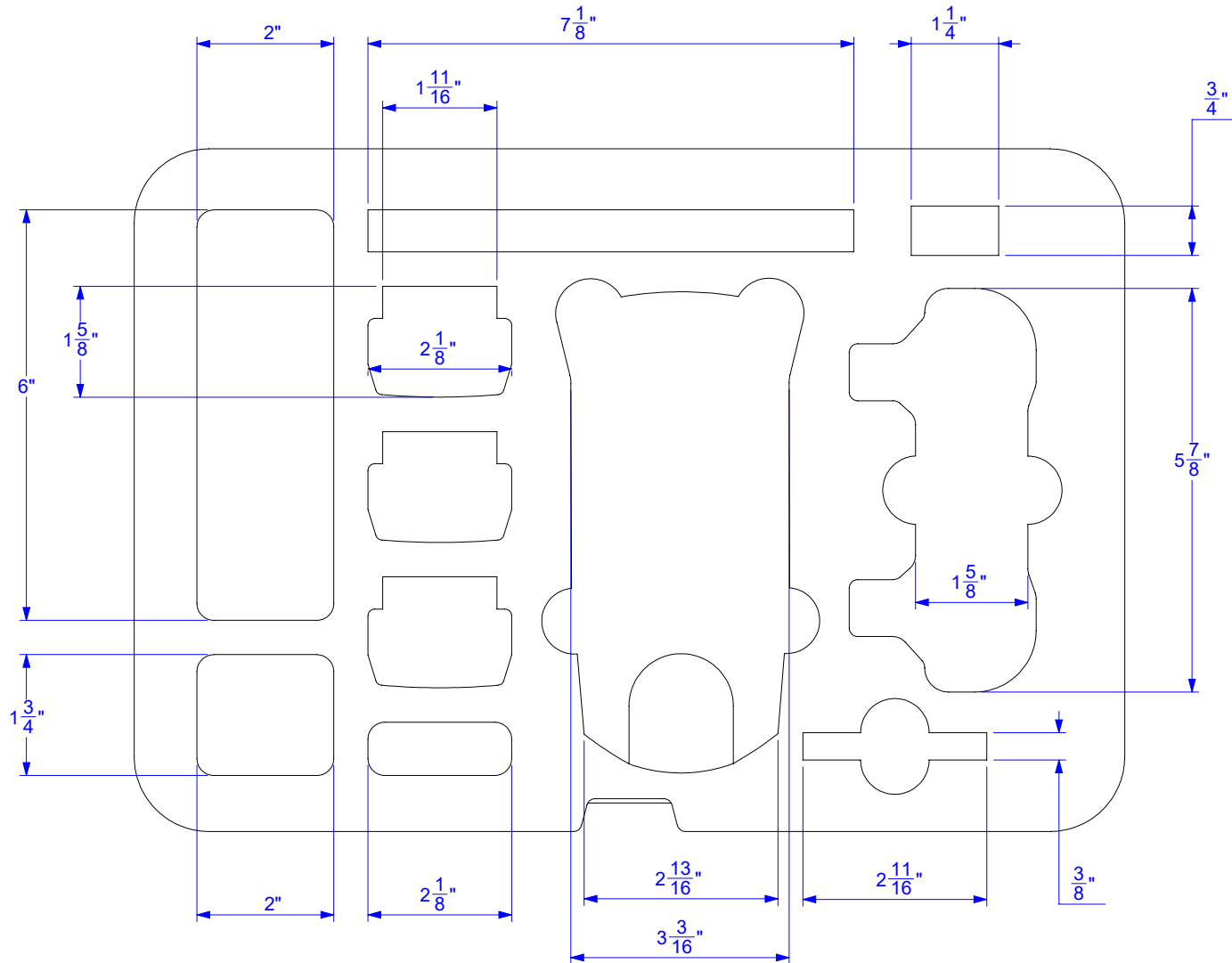
TOLERANCES

CUTOUTS +/- 1/16

OVERALL FOAM THICKNESS & CAVITY DEPTHS +/- 1/8

SIGNATURE

DATE



FOAM DENSITY MAY VARY. DIMENSIONS ARE IN INCHES UNLESS OTHERWISE SPECIFIED