

YOUR SIGNATURE IS REQUIRED FOR APPROVAL BEFORE ANY RELEASE OF PRODUCTION DRAWINGS

SIGNATURE

DATE

**TOLERANCES**

CUTOUTS +/- 1/16

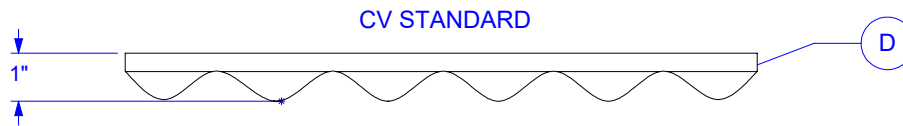
OVERALL FOAM THICKNESS & CAVITY DEPTHS +/- 1/8

GLUED TO CASE TOP  BASE  VELCRO  EXTRA

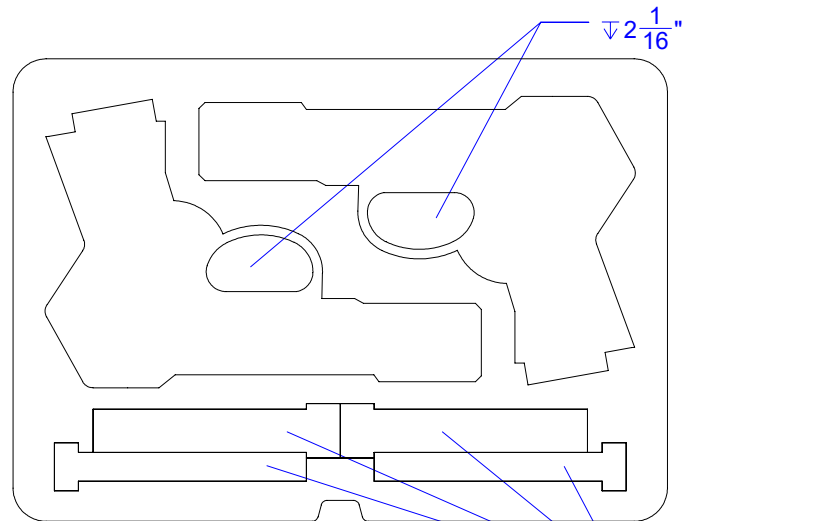
REVISIONS

REV.	DESCRIPTION	DATE	INIT
a.01	MODIFICATION GÉNÉRALE	2/1/2018	MK
p.00	PRODUCTION DRAWING	2/1/2018	MK
r.01	MODIFICATION GÉNÉRALE	2/13/2018	MK
p.01	MISE EN PRODUCTION À PARTIR DE r.01	2/14/2018	MK

LID TRAY - ELEVATION



BASE TRAY



CAVITIES ARE  $\nabla 1"$   
UNLESS OTHERWISE INDICATED

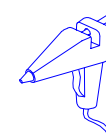
TOUTES LES CAVITÉS ONT  $\nabla 1"$   
SAUF CELLES INDIQUÉES

BASE TRAY - ELEVATION



ALL PLUGS ARE TO BE  
LOOSE UNLESS OTHERWISE INDICATED /

TOUTES LES PLUGS DOIVENT ÊTRE  
LIBRE SAUF INDICATIONS CONTRAIRE



FOAM DENSITY MAY VARY  
DIMENSIONS ARE IN INCHES UNLESS OTHERWISE SPECIFIED

YOUR SIGNATURE IS REQUIRED FOR APPROVAL BEFORE ANY RELEASE OF PRODUCTION DRAWINGS

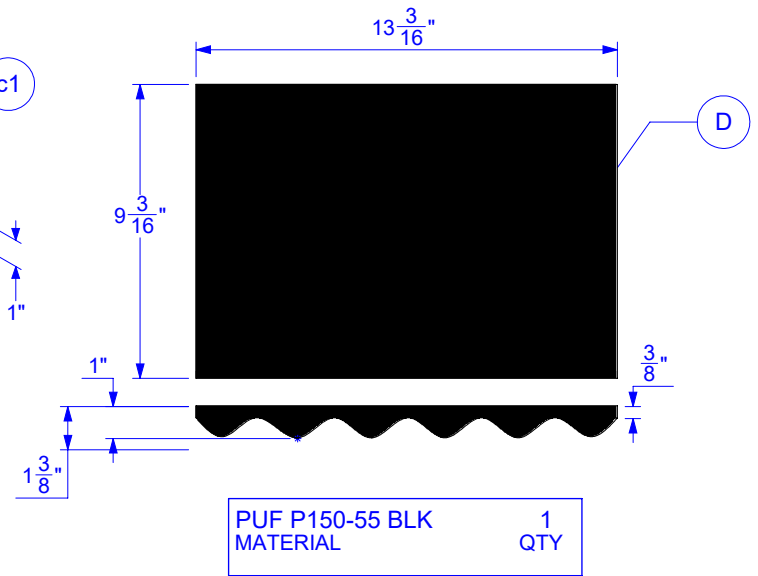
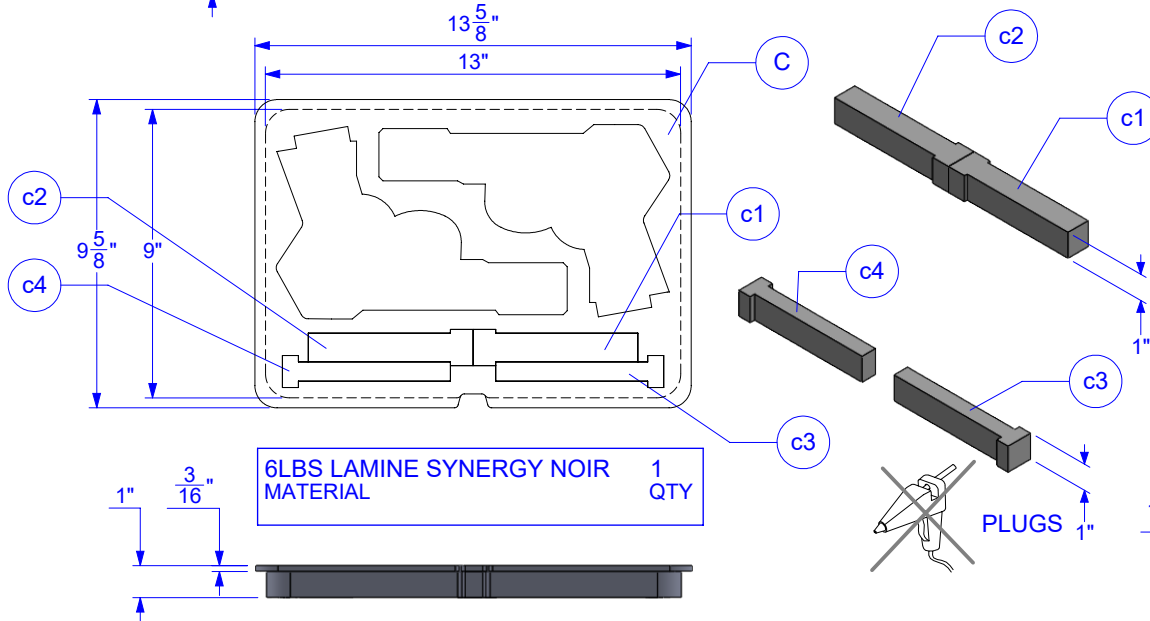
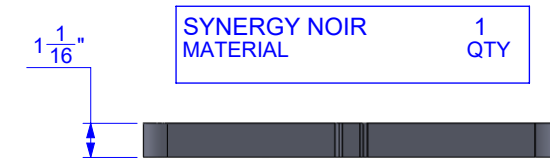
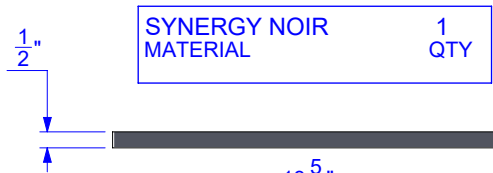
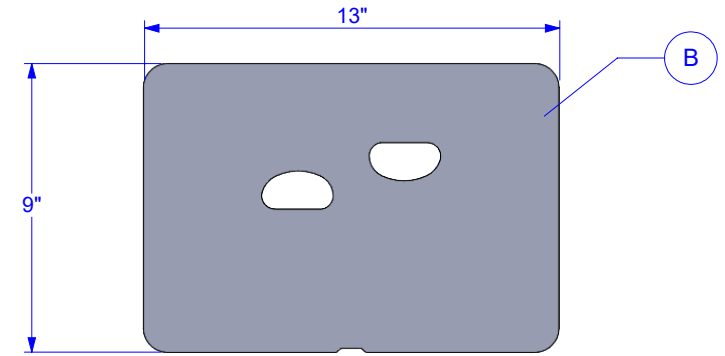
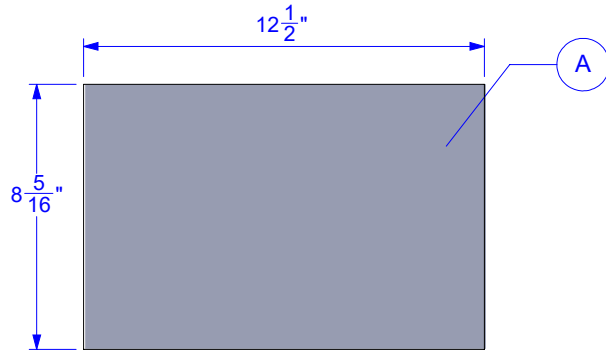
SIGNATURE

DATE

**TOLERANCES**

CUTOUTS +/- 1/16

OVERALL FOAM THICKNESS & CAVITY DEPTHS +/- 1/8



FOAM DENSITY MAY VARY. DIMENSIONS ARE IN INCHES UNLESS OTHERWISE SPECIFIED



1059, boulevard des Entreprises Ouest  
 Terrebonne, QC Canada J6Y 1V2  
 Tel 450-628-1006 1.800.783.6883  
 Fax 450-628-7801 1.888.783.6883  
 www.plasticase.com

**2 CLASSIC GUN**

PROJECT

**910\_NANUK**

PRODUCT

18008FV.910\_PLASTICASE\_2\_CLASSIC GUN\_p.01

DWG ID

STATUS

YOUR SIGNATURE IS REQUIRED FOR APPROVAL BEFORE ANY RELEASE OF PRODUCTION DRAWINGS

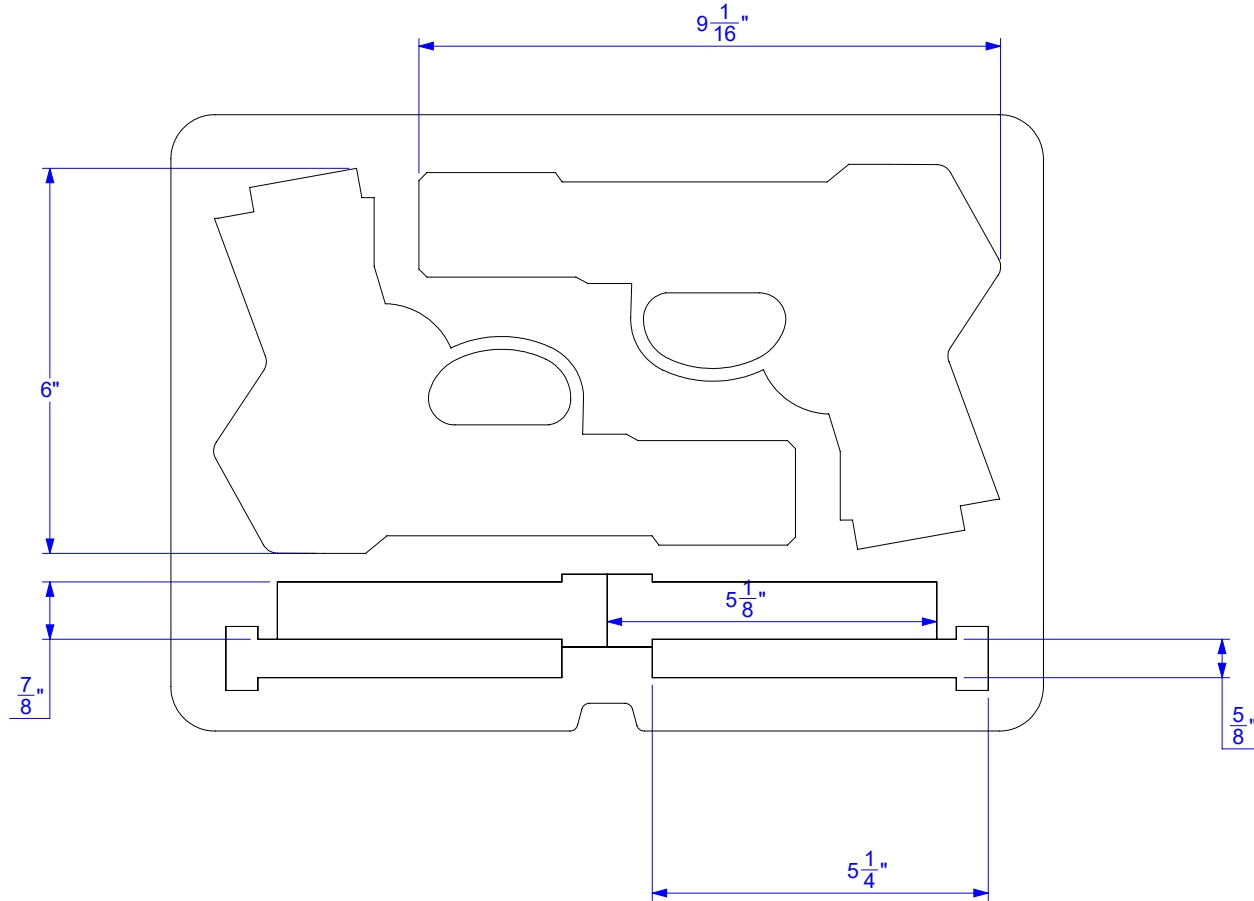
**TOLERANCES**

CUTOUTS +/- 1/16

OVERALL FOAM THICKNESS & CAVITY DEPTHS +/- 1/8

SIGNATURE

DATE



FOAM DENSITY MAY VARY.  
 DIMENSIONS ARE IN INCHES UNLESS OTHERWISE SPECIFIED

**PROPRIETARY AND CONFIDENTIAL**

THE INFORMATION CONTAINED IN THIS DRAWING IS THE SOLE & EXCLUSIVE PROPERTY OF PLASTICASE INC.  
 ANY REPRODUCTION IN PART OR WHOLE WITHOUT THE WRITTEN PERMISSION OF PLASTICASE INC. IS PROHIBITED.

DO NOT SCALE DRAWING  
 SHEET SCALE 1:3

Frank Vitiello  
 REPRESENTATIVE

Martin Keighan  
 DESIGNER

2018-01-16  
 DATE

**3/6**