

TOLERANCES

CUTOUTS +/- 1/16

OVERALL FOAM THICKNESS & CAVITY DEPTHS +/- 1/8

GLUED TO CASE TOP BASE VELCRO EXTRA

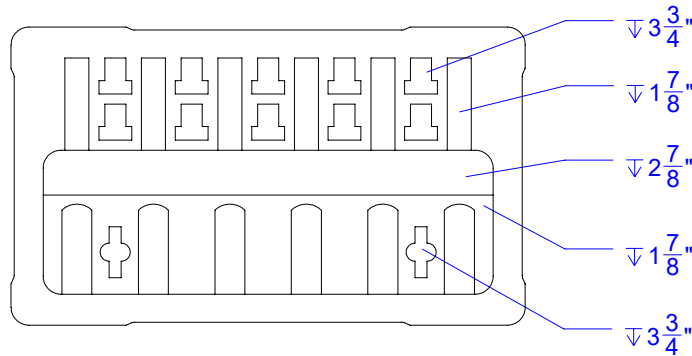
REVISIONS

REV.	DESCRIPTION	DATE	INIT
p.00	MISE EN PRODUCTION DE LA VERSION a.01	21-02-11	KD
p.00.1	LID TRAY ADDED	21-03-11	MC
p.00.2	LID MODIFICATIONS	22-04-19	WV
p.00.3	CODE MODIFICATION	22-04-28	WV

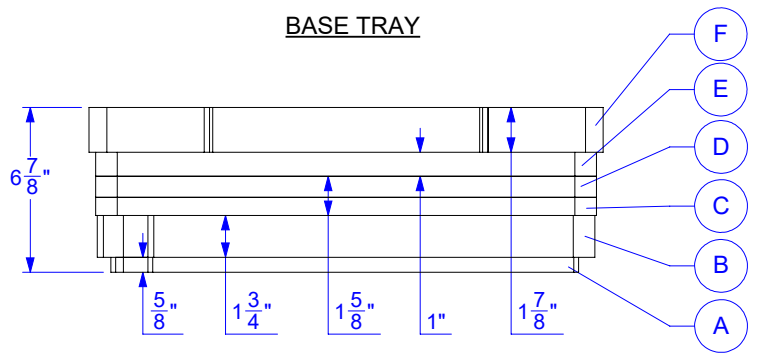
938-LIDO

LID ORGANIZER

LID TRAY

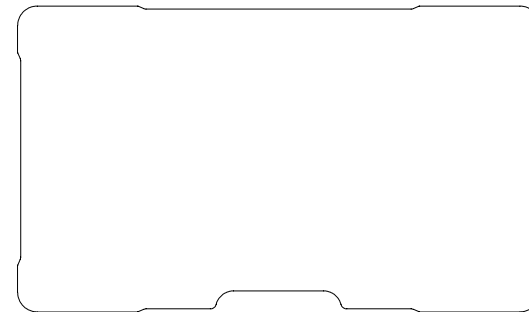
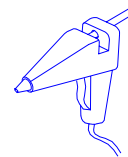
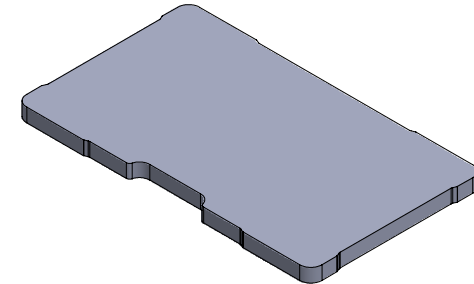
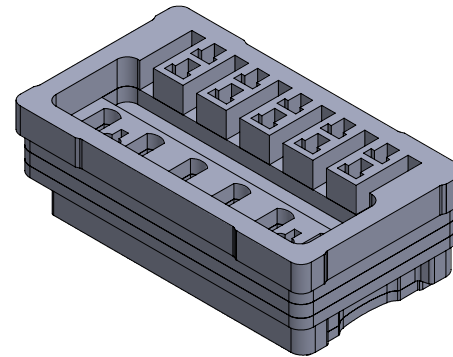


BASE TRAY

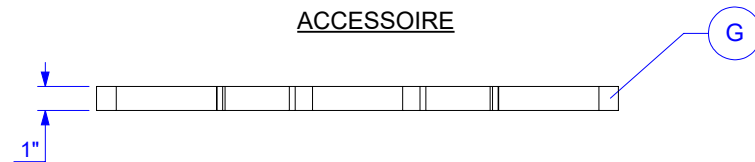


BASE TRAY - ELEVATION

631-938_21019_B



ACCESSOIRE



ACCESSOIRE - ELEVATION

631-938_21019_A

FOAM DENSITY MAY VARY. DIMENSIONS ARE IN INCHES UNLESS OTHERWISE SPECIFIED

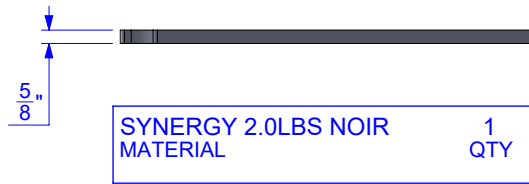
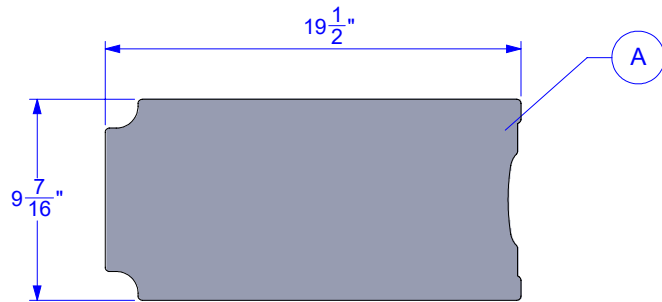
TOLERANCES

CUTOUTS +/- 1/16

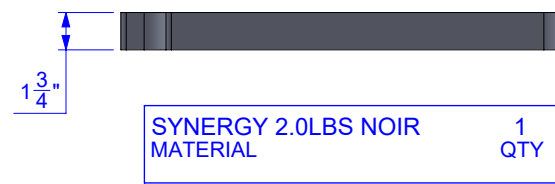
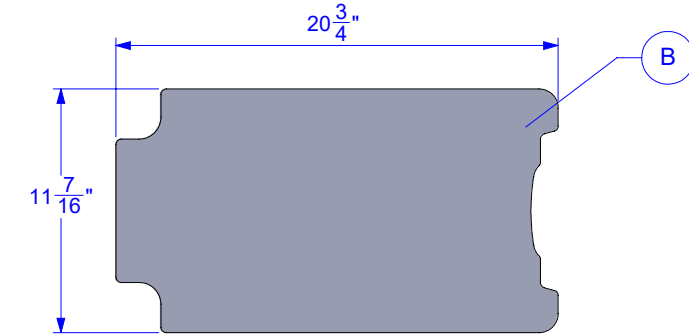
OVERALL FOAM THICKNESS & CAVITY DEPTHS +/- 1/8

SIGNATURE

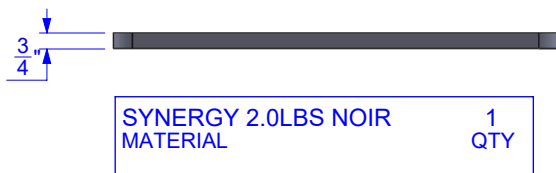
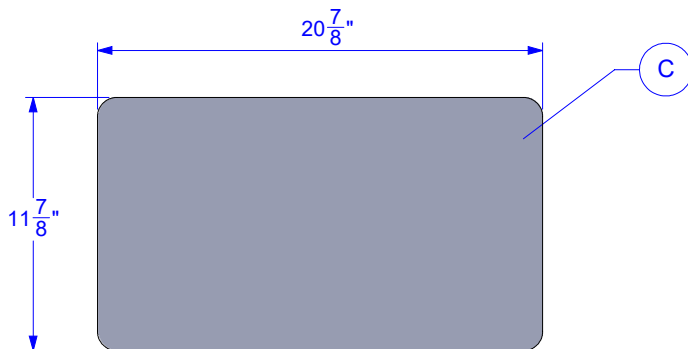
DATE



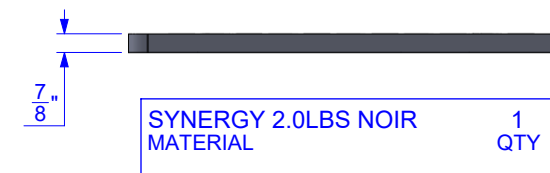
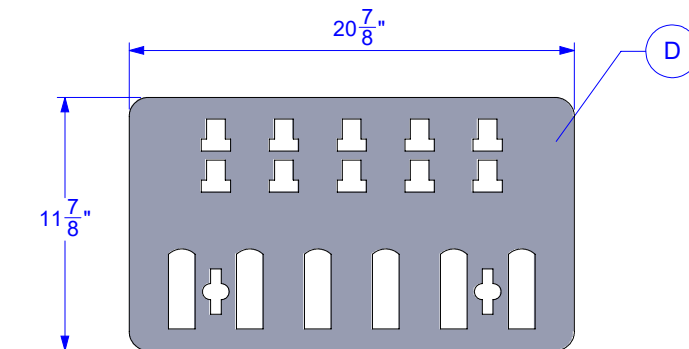
SYNERGY 2.0LBS NOIR MATERIAL 1 QTY



SYNERGY 2.0LBS NOIR MATERIAL 1 QTY



SYNERGY 2.0LBS NOIR MATERIAL 1 QTY



SYNERGY 2.0LBS NOIR MATERIAL 1 QTY

FOAM DENSITY MAY VARY. DIMENSIONS ARE IN INCHES UNLESS OTHERWISE SPECIFIED

YOUR SIGNATURE IS REQUIRED FOR APPROVAL BEFORE ANY RELEASE OF PRODUCTION DRAWINGS

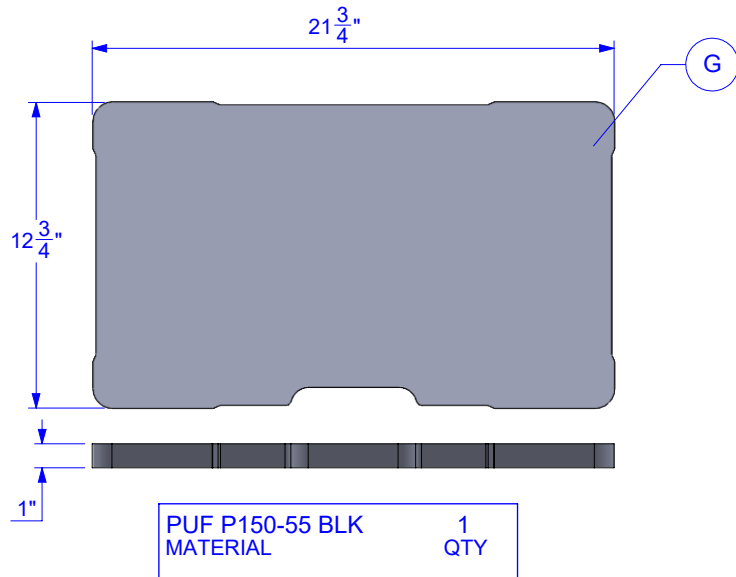
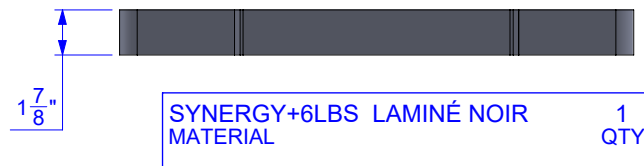
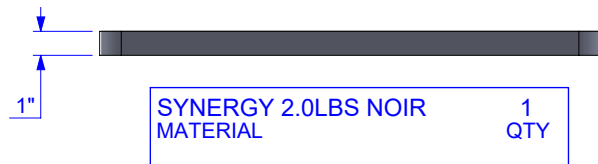
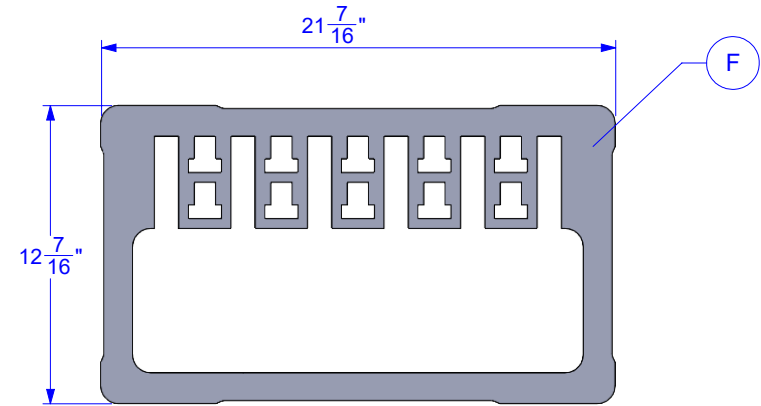
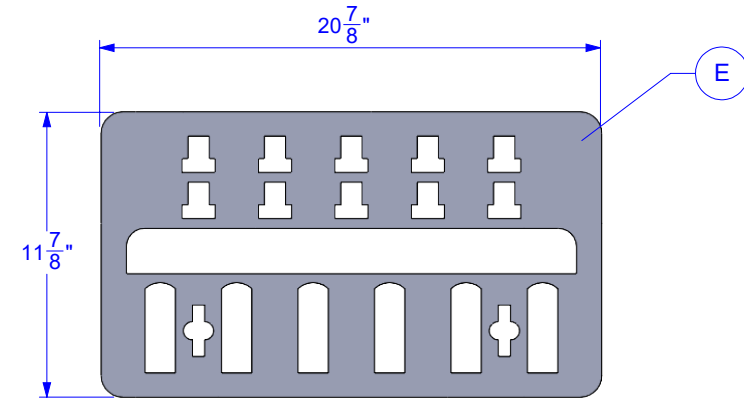
TOLERANCES

CUTOUTS +/- 1/16

OVERALL FOAM THICKNESS & CAVITY DEPTHS +/- 1/8

SIGNATURE

DATE



FOAM DENSITY MAY VARY. DIMENSIONS ARE IN INCHES UNLESS OTHERWISE SPECIFIED



1059, boulevard des Entreprises Ouest
 Terrebonne, QC Canada J6Y 1V2
 Tel 450-628-1006 1.800.783.6883
 Fax 450-628-7801 1.888.783.6883
 www.plasticase.com

6 GUNS WITH LID ORGANISER

938_NANUK

PROJECT

PRODUCT

21019FV.938_PLASTICASE 6GUNS(LIDO)_p.00.3

DWG ID

STATUS

YOUR SIGNATURE IS REQUIRED FOR APPROVAL BEFORE ANY RELEASE OF PRODUCTION DRAWINGS

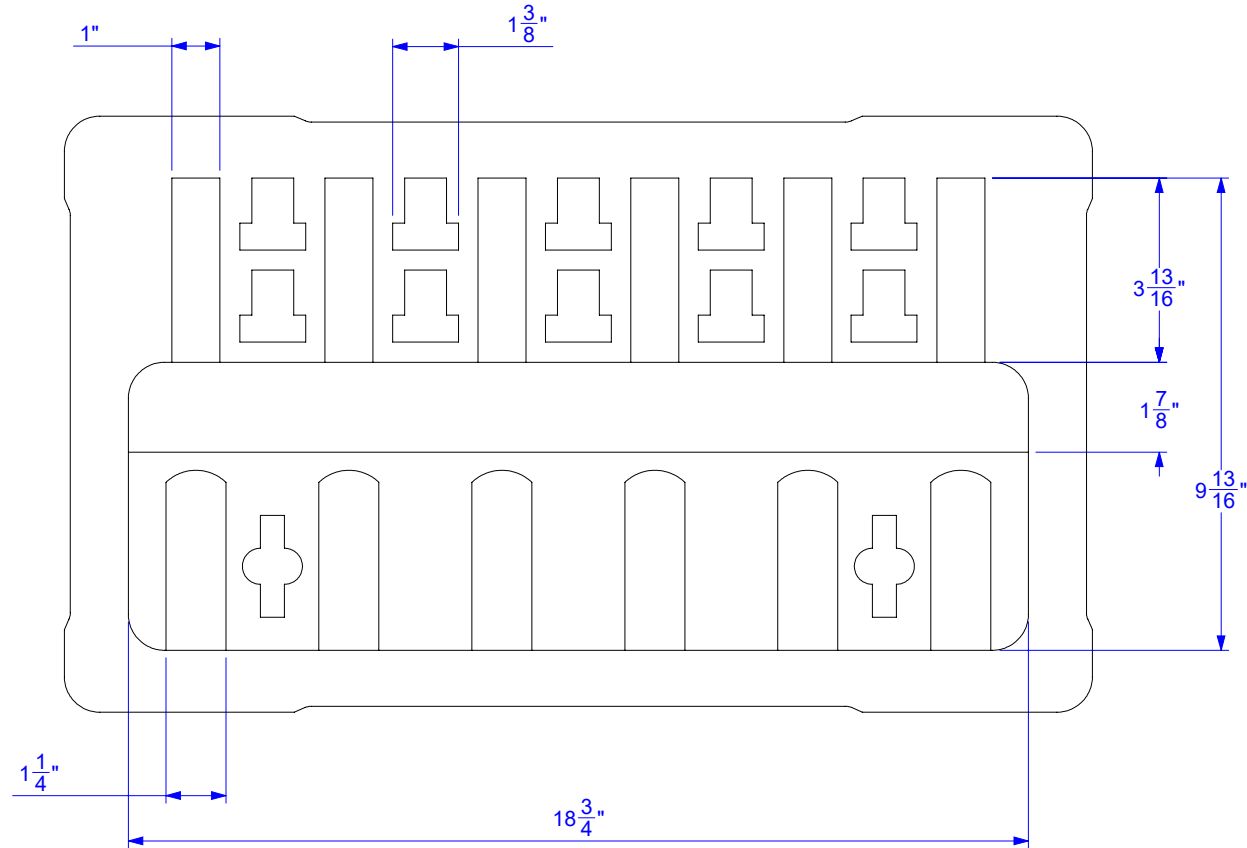
TOLERANCES

CUTOUTS +/- 1/16

OVERALL FOAM THICKNESS & CAVITY DEPTHS +/- 1/8

SIGNATURE

DATE



FOAM DENSITY MAY VARY. DIMENSIONS ARE IN INCHES UNLESS OTHERWISE SPECIFIED

PROPRIETARY AND CONFIDENTIAL

THE INFORMATION CONTAINED IN THIS DRAWING IS THE SOLE & EXCLUSIVE PROPERTY OF PLASTICASE INC. ANY REPRODUCTION IN PART OR WHOLE WITHOUT THE WRITTEN PERMISSION OF PLASTICASE INC. IS PROHIBITED.

DO NOT SCALE DRAWING
 SHEET SCALE 1:4

Frank Vitiello
 REPRESENTATIVE

Karen Dupuis
 DESIGNER

2022-04-28
 DATE

4/11