

YOUR SIGNATURE IS REQUIRED FOR APPROVAL BEFORE ANY RELEASE OF PRODUCTION DRAWINGS

SIGNATURE

DATE

**TOLERANCES**

CUTOUTS +/- 1/16

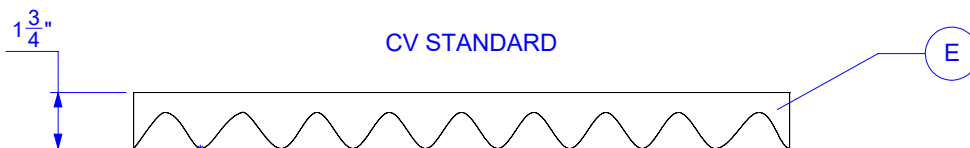
OVERALL FOAM THICKNESS & CAVITY DEPTHS +/- 1/8

GLUED TO CASE TOP  BASE  VELCRO  EXTRA

REVISIONS			
REV.	DESCRIPTION	DATE	INIT
p.00	Production Level as per a.00	2020/3/5	E.P.
p.00.1	DIMENSION LAYER D MODIFIED	23-02-28	WV

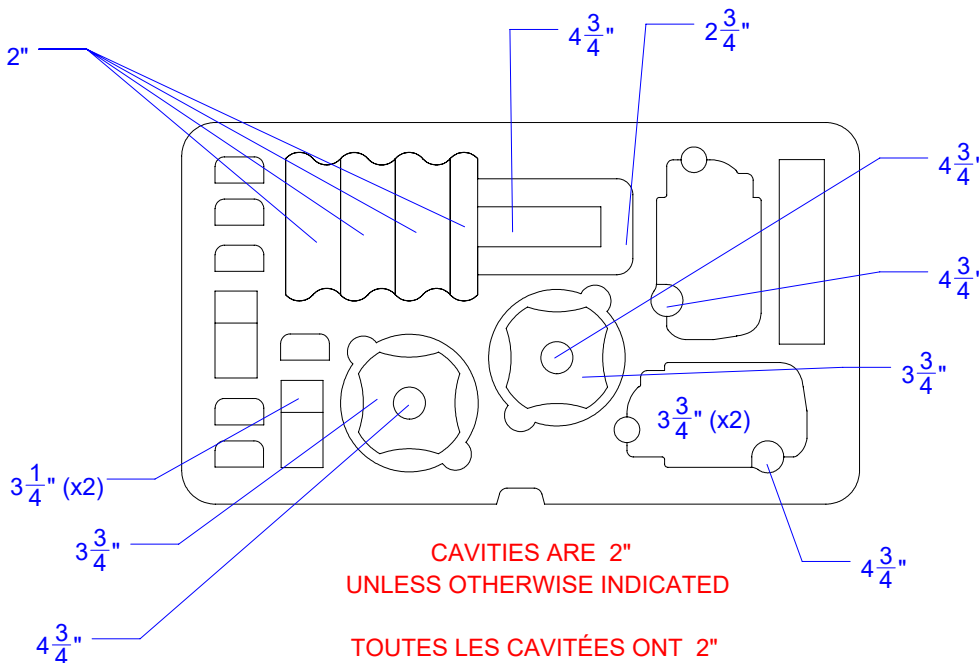
**TOP TRAY - ELEVATION**

1-93503



**BASE TRAY**

PLUGS 2" + 3/4" + 2"

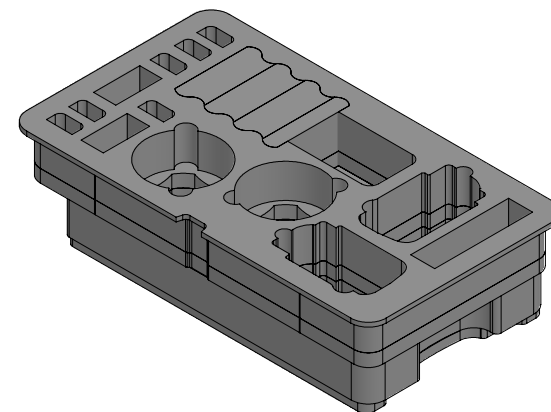


CAVITIES ARE 2"  
UNLESS OTHERWISE INDICATED

TOUTES LES CAVITÉES ONT 2"  
SAUF CELLES INDIQUÉES

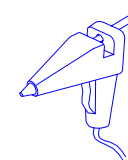
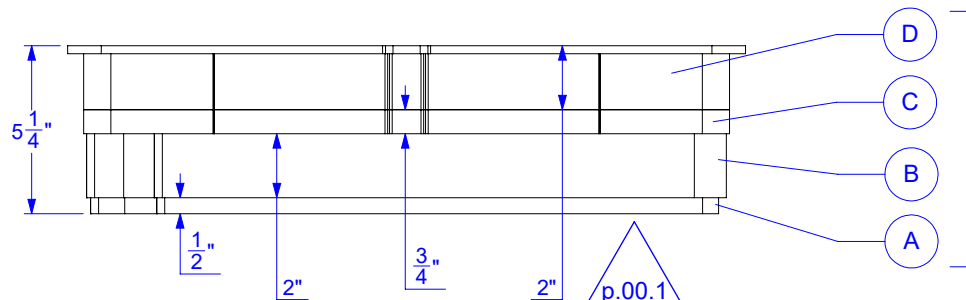
ALL PLUGS ARE TO BE LOOSE  
UNLESS OTHERWISE INDICATED-

TOUTES LES PLUGS DOIVENT ETRE  
LIBRE SAUF INDICATIONS CONTRAIRE



**BASE TRAY - ELEVATION**

1-935-20060-B



FOAM DENSITY MAY VARY  
DIMENSIONS ARE IN INCHES UNLESS OTHERWISE SPECIFIED

YOUR SIGNATURE IS REQUIRED FOR APPROVAL BEFORE ANY RELEASE OF PRODUCTION DRAWINGS

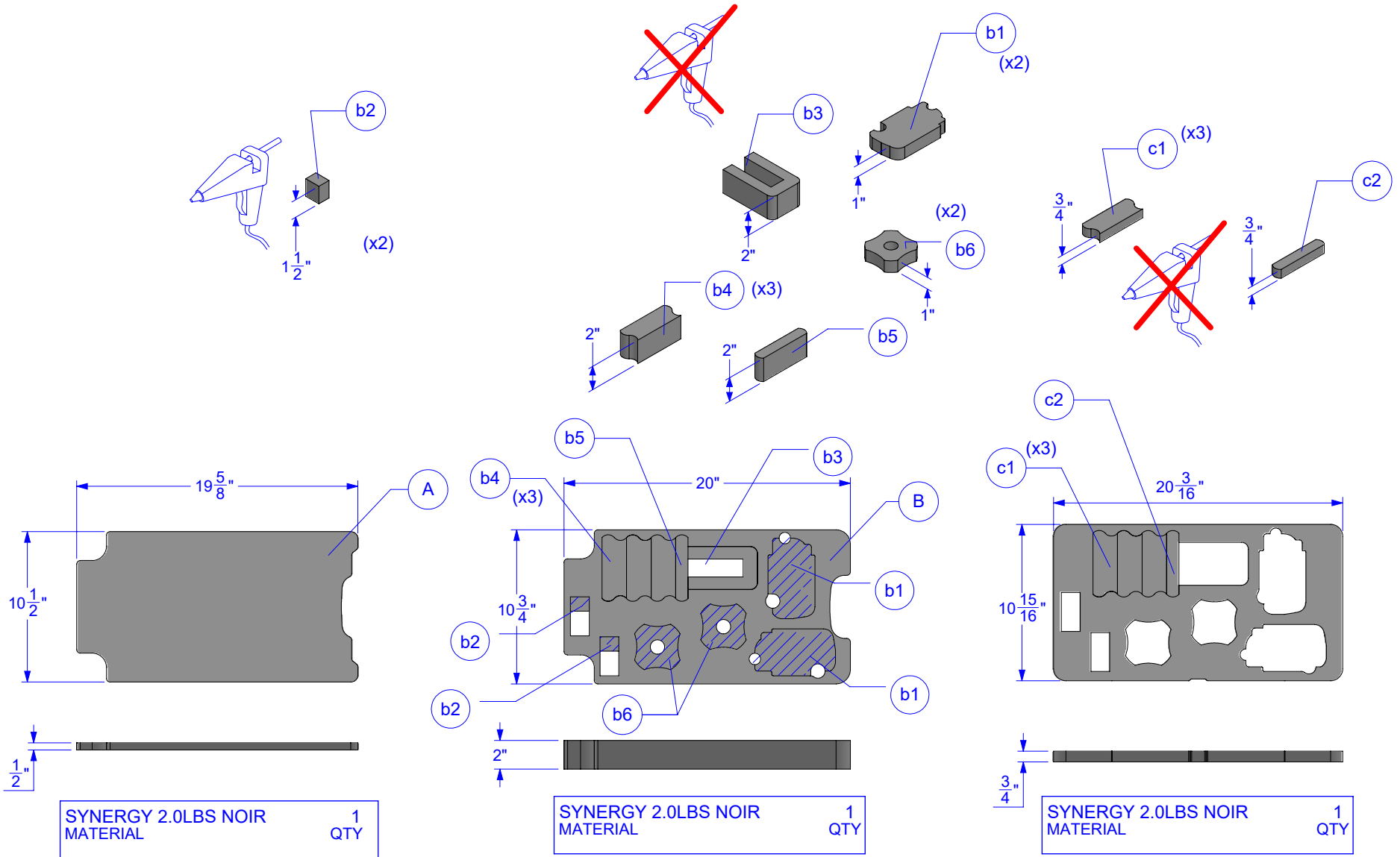
SIGNATURE

DATE

**TOLERANCES**

CUTOUTS +/- 1/16

OVERALL FOAM THICKNESS & CAVITY DEPTHS +/- 1/8



FOAM DENSITY MAY VARY. DIMENSIONS ARE IN INCHES UNLESS OTHERWISE SPECIFIED

YOUR SIGNATURE IS REQUIRED FOR APPROVAL BEFORE ANY RELEASE OF PRODUCTION DRAWINGS

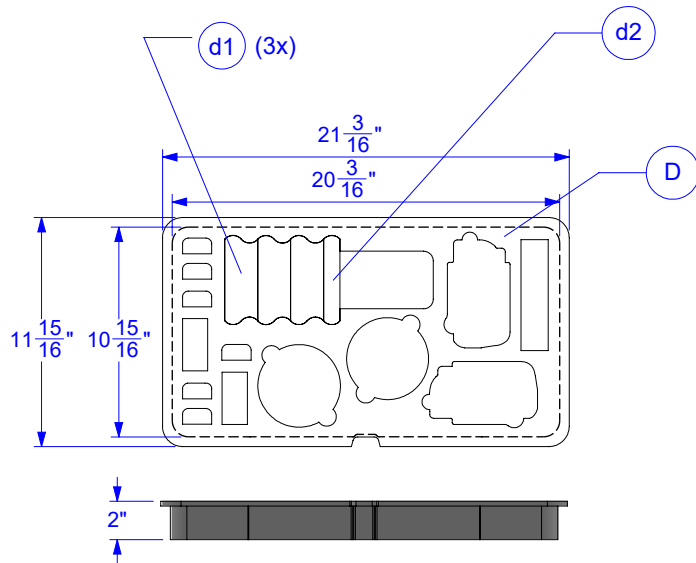
**TOLERANCES**

CUTOUTS +/- 1/16

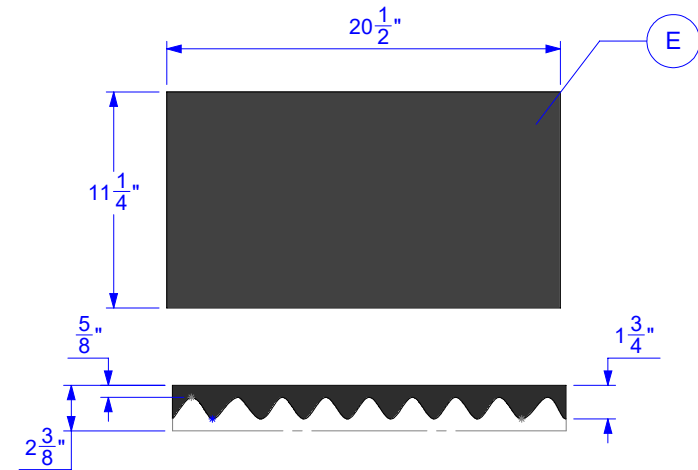
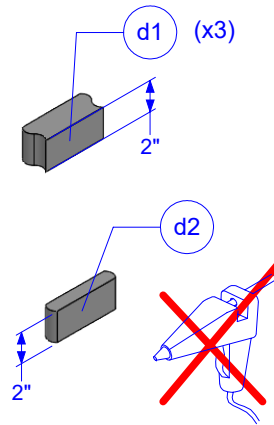
OVERALL FOAM THICKNESS & CAVITY DEPTHS +/- 1/8

SIGNATURE

DATE



SYNERGY + 6LBS LAMINE NOIR MATERIAL 1 QTY



PUF P150-55 BLK MATERIAL 1 QTY

FOAM DENSITY MAY VARY. DIMENSIONS ARE IN INCHES UNLESS OTHERWISE SPECIFIED



1059, boulevard des Entreprises Ouest  
 Terrebonne, QC Canada J6Y 1V2  
 Tel 450-628-1006 1.800.783.6883  
 Fax 450-628-7801 1.888.783.6883  
 www.plasticase.com

**INSERT**

PROJECT

**935\_NANUK**

PRODUCT

20060FV.935\_PLASTICASE\_CAMERA\_CASE\_p.00.1

DWG ID

STATUS

YOUR SIGNATURE IS REQUIRED FOR APPROVAL BEFORE ANY RELEASE OF PRODUCTION DRAWINGS

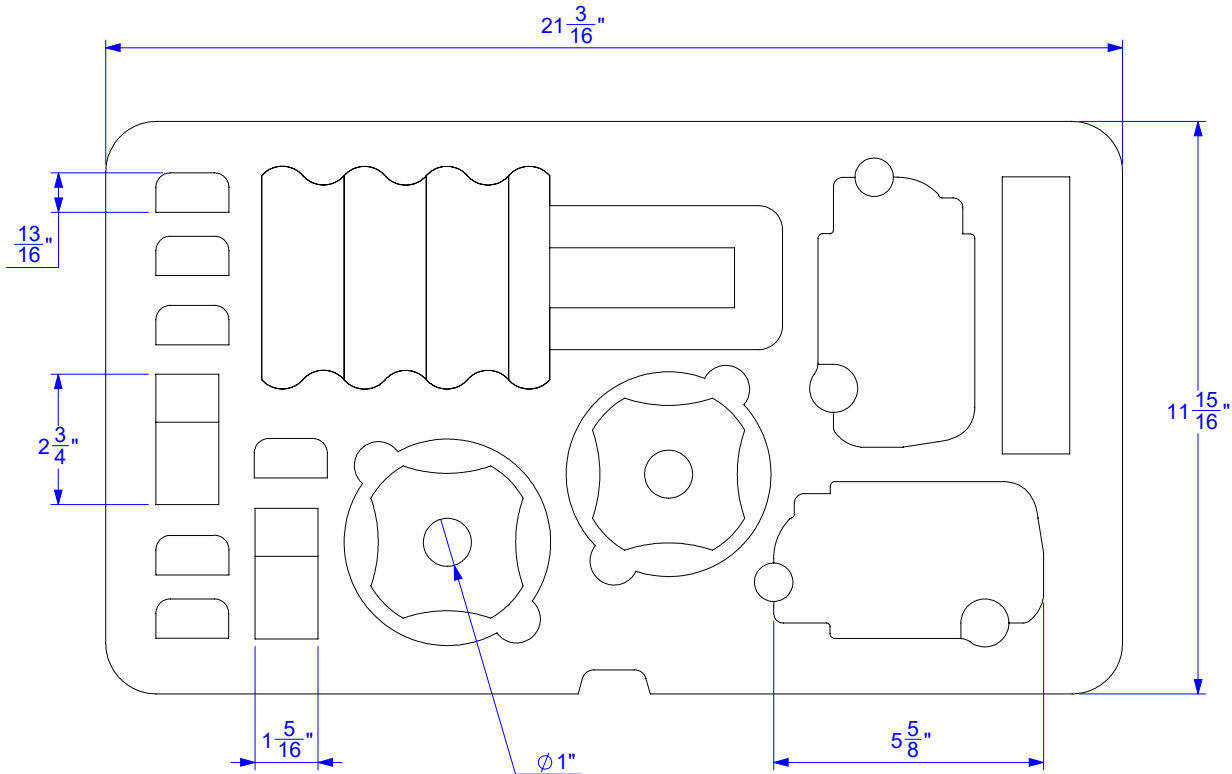
**TOLERANCES**

CUTOUTS +/- 1/16

OVERALL FOAM THICKNESS & CAVITY DEPTHS +/- 1/8

SIGNATURE

DATE



FOAM DENSITY MAY VARY.  
 DIMENSIONS ARE IN INCHES UNLESS OTHERWISE SPECIFIED

**PROPRIETARY AND CONFIDENTIAL**

THE INFORMATION CONTAINED IN THIS DRAWING IS THE SOLE & EXCLUSIVE PROPERTY OF PLASTICASE INC. ANY REPRODUCTION IN PART OR WHOLE WITHOUT THE WRITTEN PERMISSION OF PLASTICASE INC. IS PROHIBITED.

DO NOT SCALE DRAWING  
 SHEET SCALE 1:4

Frank Vitiello  
 REPRESENTATIVE

Eric Pond  
 DESIGNER

2023-02-28  
 DATE