

YOUR SIGNATURE IS REQUIRED FOR APPROVAL BEFORE ANY RELEASE OF PRODUCTION DRAWINGS

SIGNATURE

DATE

TOLERANCES

CUTOUTS +/- 1/16

OVERALL FOAM THICKNESS & CAVITY DEPTHS +/- 1/8

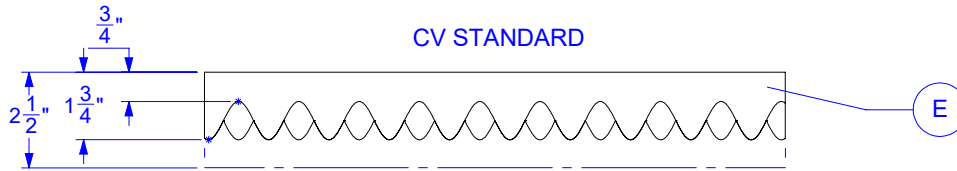
GLUED TO CASE TOP BASE VELCRO EXTRA

REVISIONS

REV.	DESCRIPTION	DATE	INITIALS
p.00.1	THICKNESS MODIFICATION FOR LAYER D	2022-07-05	WV
r.01	ALIGNMENT OF LAYERS C & D	2024-08-28	DB
p.01	PRODUCTION OF r.01	2024-08-29	DB

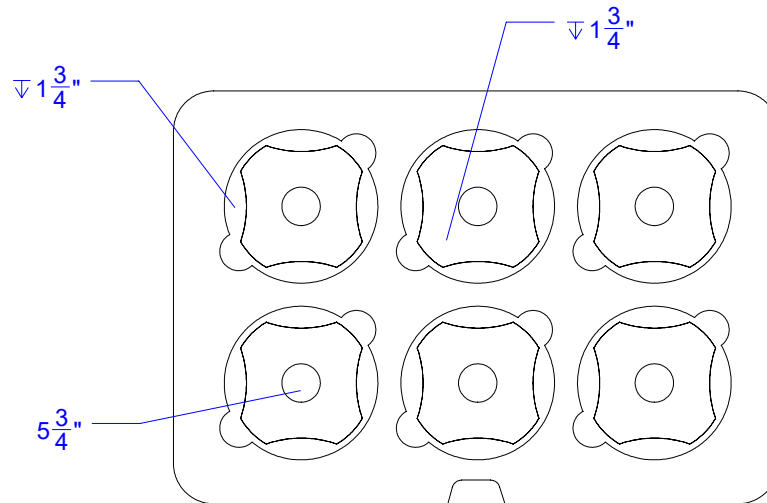
LID TRAY - ELEVATION

1-91803



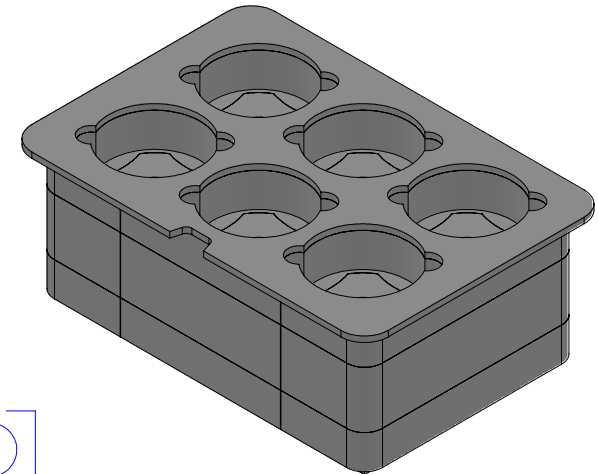
BASE TRAY

1-918-19337-B

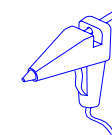
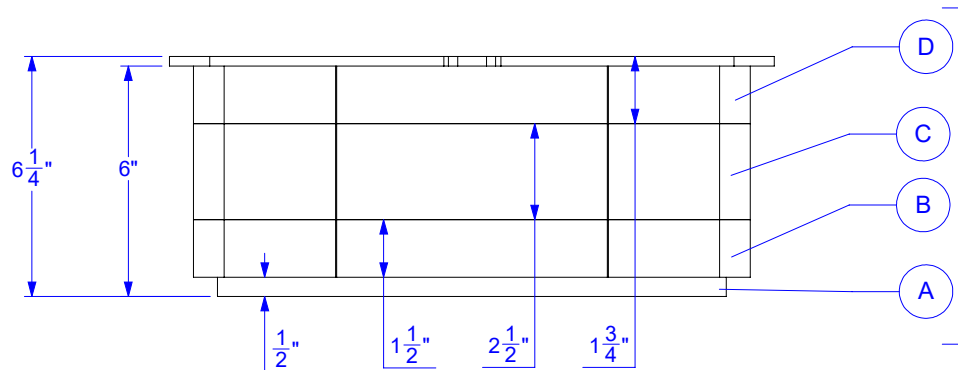


ALL PLUGS ARE TO BE LOOSE UNLESS OTHERWISE INDICATED-

TOUTES LES PLUGS DOIVENT ETRE LIBRE SAUF INDICATIONS CONTRAIRE



BASE TRAY - ELEVATION



FOAM DENSITY MAY VARY. DIMENSIONS ARE IN INCHES UNLESS OTHERWISE SPECIFIED

YOUR SIGNATURE IS REQUIRED FOR APPROVAL BEFORE ANY RELEASE OF PRODUCTION DRAWINGS

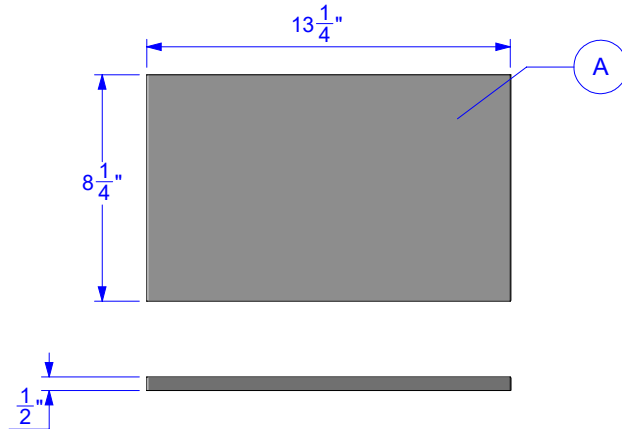
TOLERANCES

CUTOUTS +/- 1/16

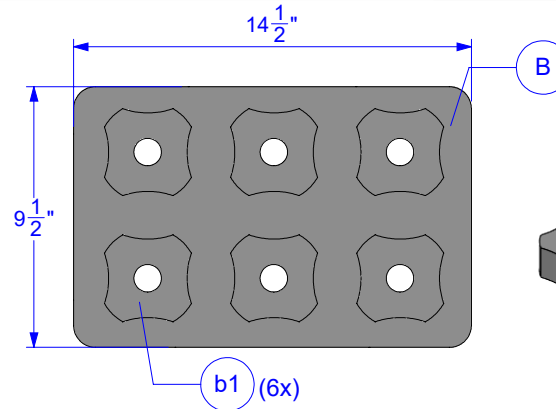
OVERALL FOAM THICKNESS & CAVITY DEPTHS +/- 1/8

SIGNATURE

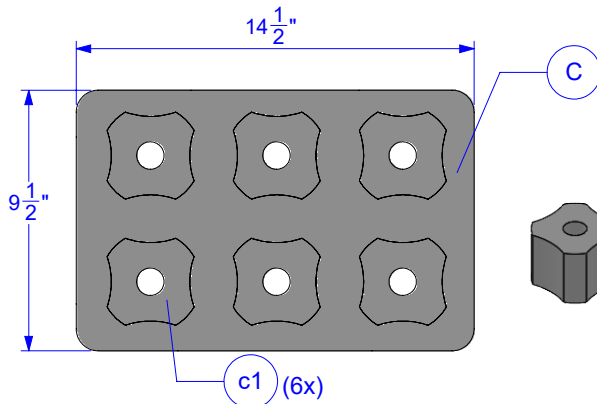
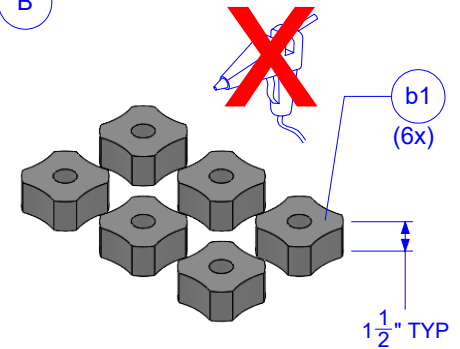
DATE



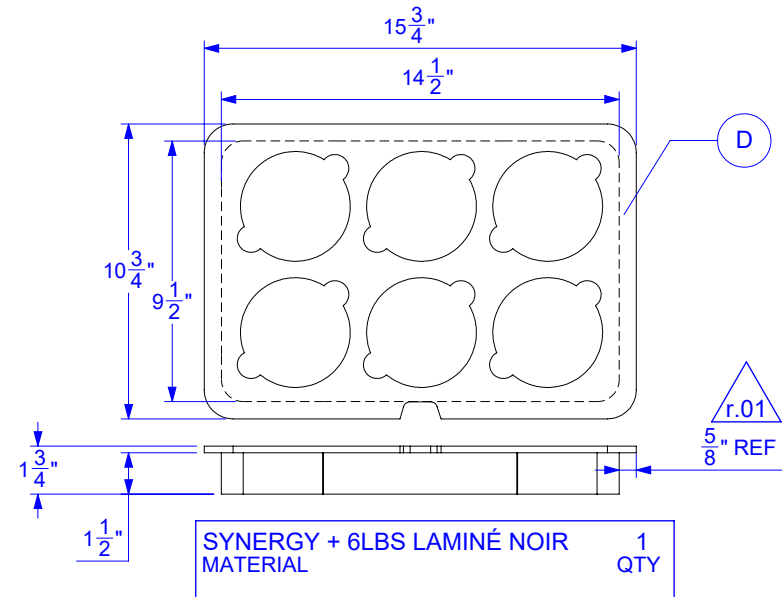
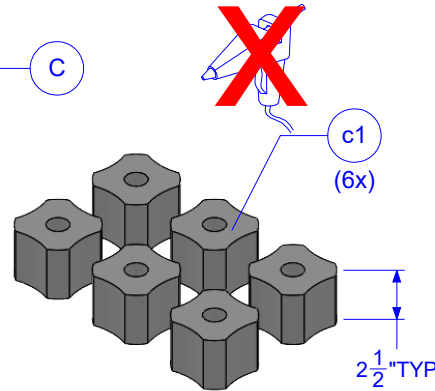
SYNERGY 2.0LBS NOIR MATERIAL 1 QTY



SYNERGY 2.0LBS NOIR MATERIAL 1 QTY



SYNERGY 2.0LBS NOIR MATERIAL 1 QTY



SYNERGY + 6LBS LAMINÉ NOIR MATERIAL 1 QTY

FOAM DENSITY MAY VARY
DIMENSIONS ARE IN INCHES UNLESS OTHERWISE SPECIFIED



1059, boulevard des Entreprises Ouest
 Terrebonne, QC Canada J6Y 1V2
 Tel 450-628-1006 1.800.783.6883
 Fax 450-628-7801 1.888.783.6883
 www.plasticase.com

PROJECT

PRODUCT

19337FV.918_PLASTICASE_6_LENS_CASE_p.01

DWG ID

STATUS

YOUR SIGNATURE IS REQUIRED FOR APPROVAL BEFORE ANY RELEASE OF PRODUCTION DRAWINGS

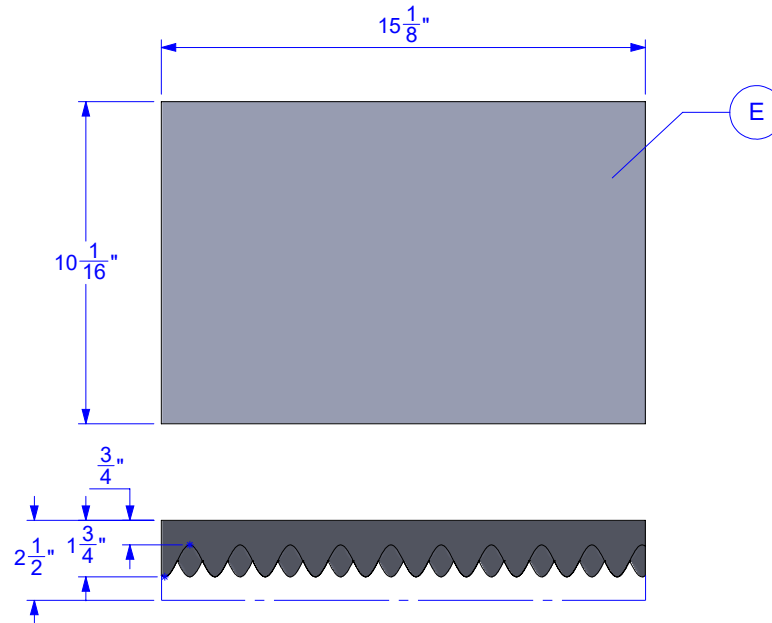
TOLERANCES

CUTOUTS +/- 1/16

OVERALL FOAM THICKNESS & CAVITY DEPTHS +/- 1/8

SIGNATURE

DATE



PUF P150-55 BLK 2 3/8" THICK 5/8" BASE MATERIAL		
-	51"	1
LINEAR IN	DETAIL	QTY

FOAM DENSITY MAY VARY. DIMENSIONS ARE IN INCHES UNLESS OTHERWISE SPECIFIED

PROPRIETARY AND CONFIDENTIAL

THE INFORMATION CONTAINED IN THIS DRAWING IS THE SOLE & EXCLUSIVE PROPERTY OF PLASTICASE INC. ANY REPRODUCTION IN PART OR WHOLE WITHOUT THE WRITTEN PERMISSION OF PLASTICASE INC. IS PROHIBITED.

DO NOT SCALE DRAWING
 SHEET SCALE 1:7

Frank Vitiello
 REPRESENTATIVE

Eric Pond
 DESIGNER

2024-08-29
 DATE

3/7



1059, boulevard des Entreprises Ouest
 Terrebonne, QC Canada J6Y 1V2
 Tel 450-628-1006 1.800.783.6883
 Fax 450-628-7801 1.888.783.6883
 www.plasticase.com

INSERT

PROJECT

918_NANUK

PRODUCT

19337FV.918_PLASTICASE_6_LENS_CASE_p.01

DWG ID

STATUS

YOUR SIGNATURE IS REQUIRED FOR APPROVAL BEFORE ANY RELEASE OF PRODUCTION DRAWINGS

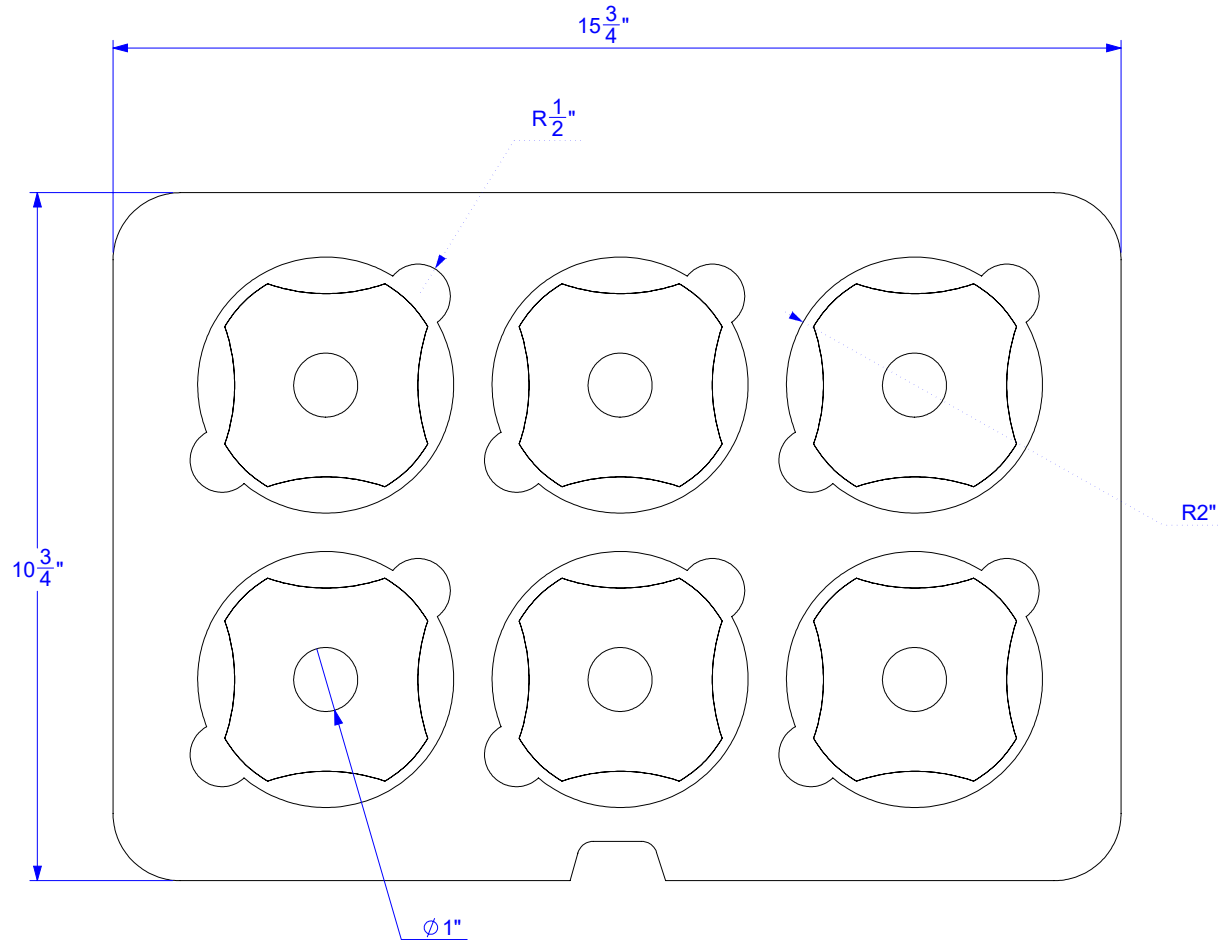
TOLERANCES

CUTOUTS +/- 1/16

OVERALL FOAM THICKNESS & CAVITY DEPTHS +/- 1/8

SIGNATURE

DATE



FOAM DENSITY MAY VARY.
 DIMENSIONS ARE IN INCHES UNLESS OTHERWISE SPECIFIED

PROPRIETARY AND CONFIDENTIAL

THE INFORMATION CONTAINED IN THIS DRAWING IS THE SOLE & EXCLUSIVE PROPERTY OF PLASTICASE INC. ANY REPRODUCTION IN PART OR WHOLE WITHOUT THE WRITTEN PERMISSION OF PLASTICASE INC. IS PROHIBITED.

DO NOT SCALE DRAWING
 SHEET SCALE 1:3

Frank Vitiello
 REPRESENTATIVE

Eric Pond
 DESIGNER

2024-08-29
 DATE