

YOUR SIGNATURE IS REQUIRED FOR APPROVAL BEFORE ANY RELEASE OF PRODUCTION DRAWINGS

SIGNATURE

DATE

**TOLERANCES**

CUTOUTS +/- 1/16

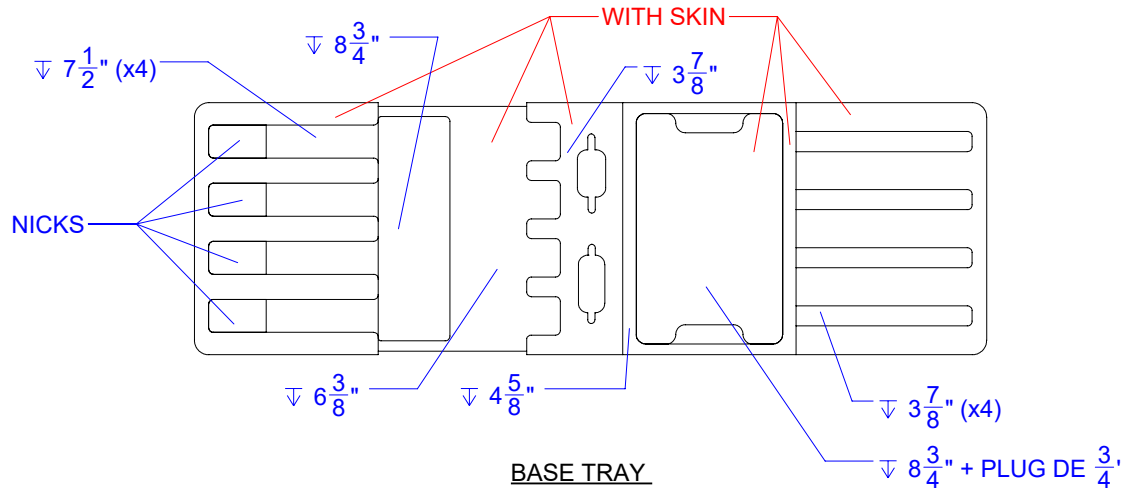
OVERALL FOAM THICKNESS & CAVITY DEPTHS +/- 1/8

**GLUED TO CASE** TOP  BASE  VELCRO  EXTRA

REVISIONS			
REV.	DESCRIPTION	DATE	INIT
p.00.1	MATERIAL CHANGED FOR LAYER G-1, G	2022-09-22	WV
p.00.2	LID MODIFIED FOR 988 CV STD	2022-10-04	WV
p.00.3	VISUAL MODIFICATION	2023-04-25	WV

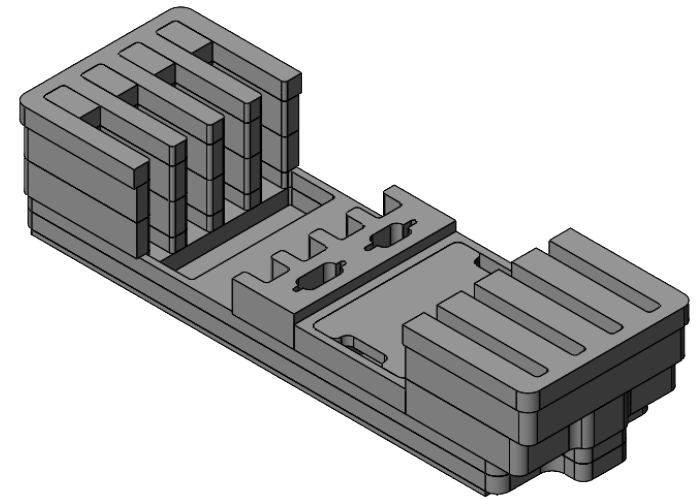
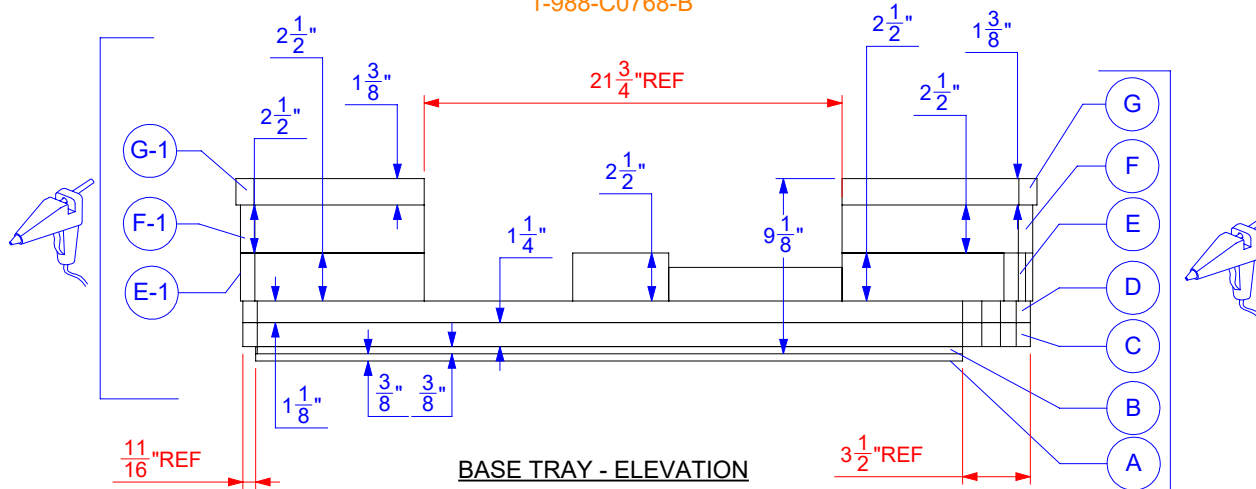


**LID TRAY - ELEVATION**



**BASE TRAY**

1-988-C0768-B



FOAM DENSITY MAY VARY  
DIMENSIONS ARE IN INCHES UNLESS OTHERWISE SPECIFIED

YOUR SIGNATURE IS REQUIRED FOR APPROVAL BEFORE ANY RELEASE OF PRODUCTION DRAWINGS

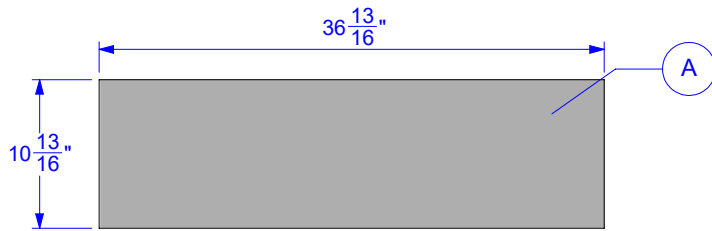
SIGNATURE

DATE

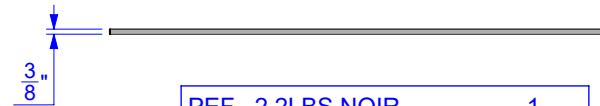
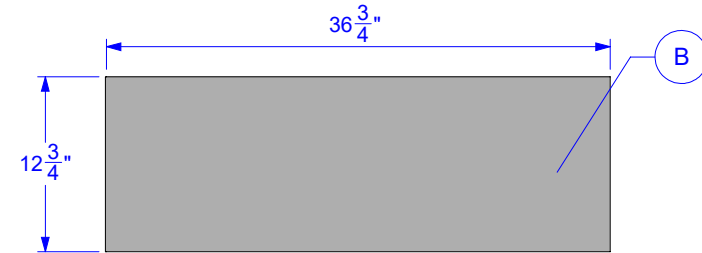
**TOLERANCES**

CUTOUTS +/- 1/16

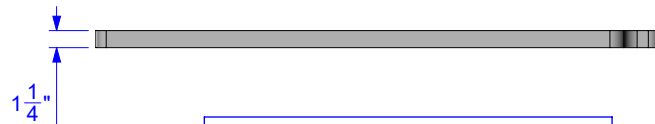
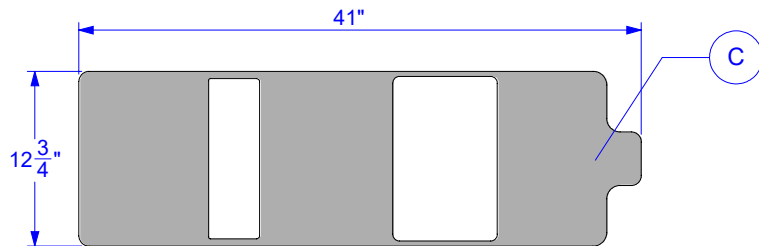
OVERALL FOAM THICKNESS & CAVITY DEPTHS +/- 1/8



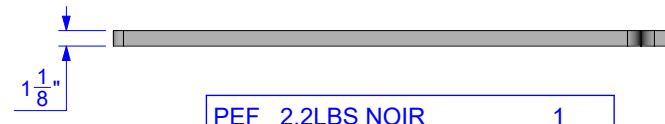
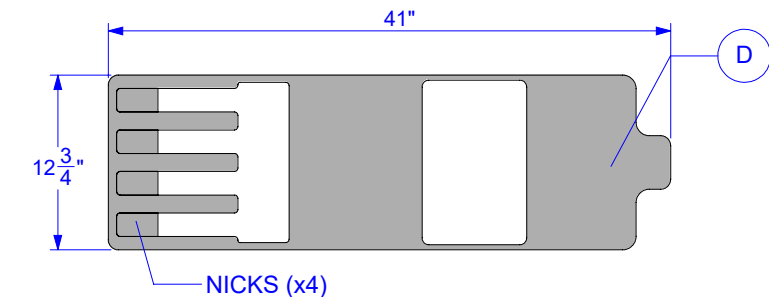
PEF 2.2LBS NOIR MATERIAL 1 QTY



PEF 2.2LBS NOIR MATERIAL 1 QTY



PEF 2.2LBS NOIR MATERIAL 1 QTY



PEF 2.2LBS NOIR MATERIAL 1 QTY

FOAM DENSITY MAY VARY. DIMENSIONS ARE IN INCHES UNLESS OTHERWISE SPECIFIED

YOUR SIGNATURE IS REQUIRED FOR APPROVAL BEFORE ANY RELEASE OF PRODUCTION DRAWINGS

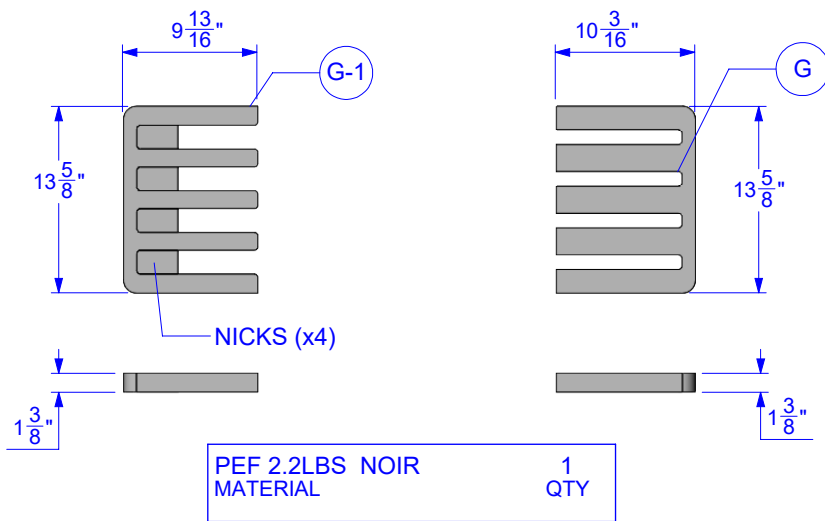
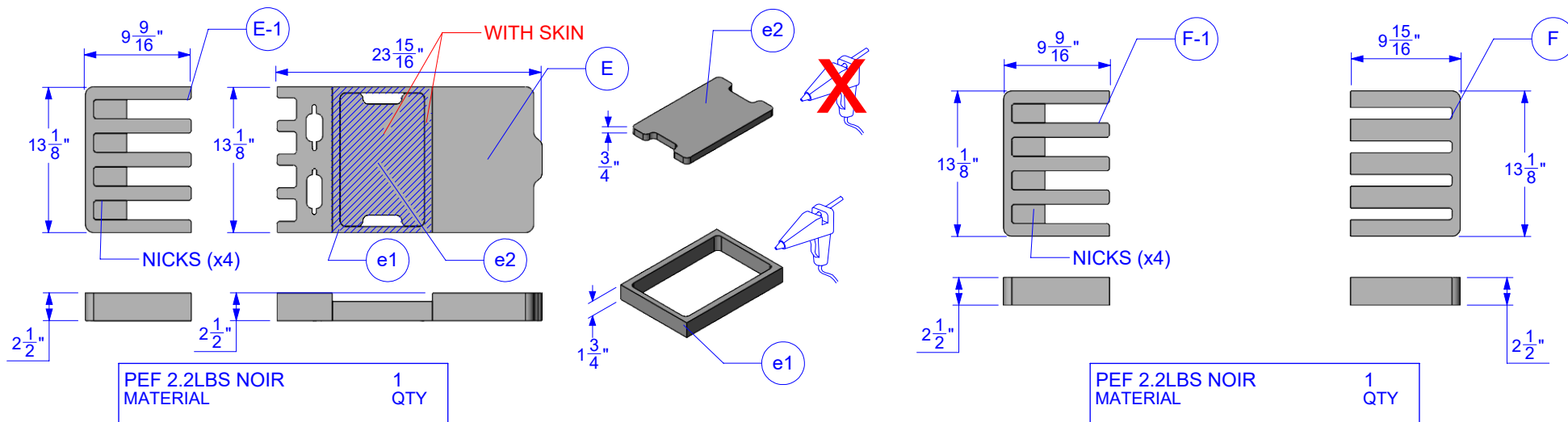
**TOLERANCES**

CUTOUTS +/- 1/16

OVERALL FOAM THICKNESS & CAVITY DEPTHS +/- 1/8

SIGNATURE

DATE



FOAM DENSITY MAY VARY  
DIMENSIONS ARE IN INCHES UNLESS OTHERWISE SPECIFIED

YOUR SIGNATURE IS REQUIRED FOR APPROVAL BEFORE ANY RELEASE OF PRODUCTION DRAWINGS

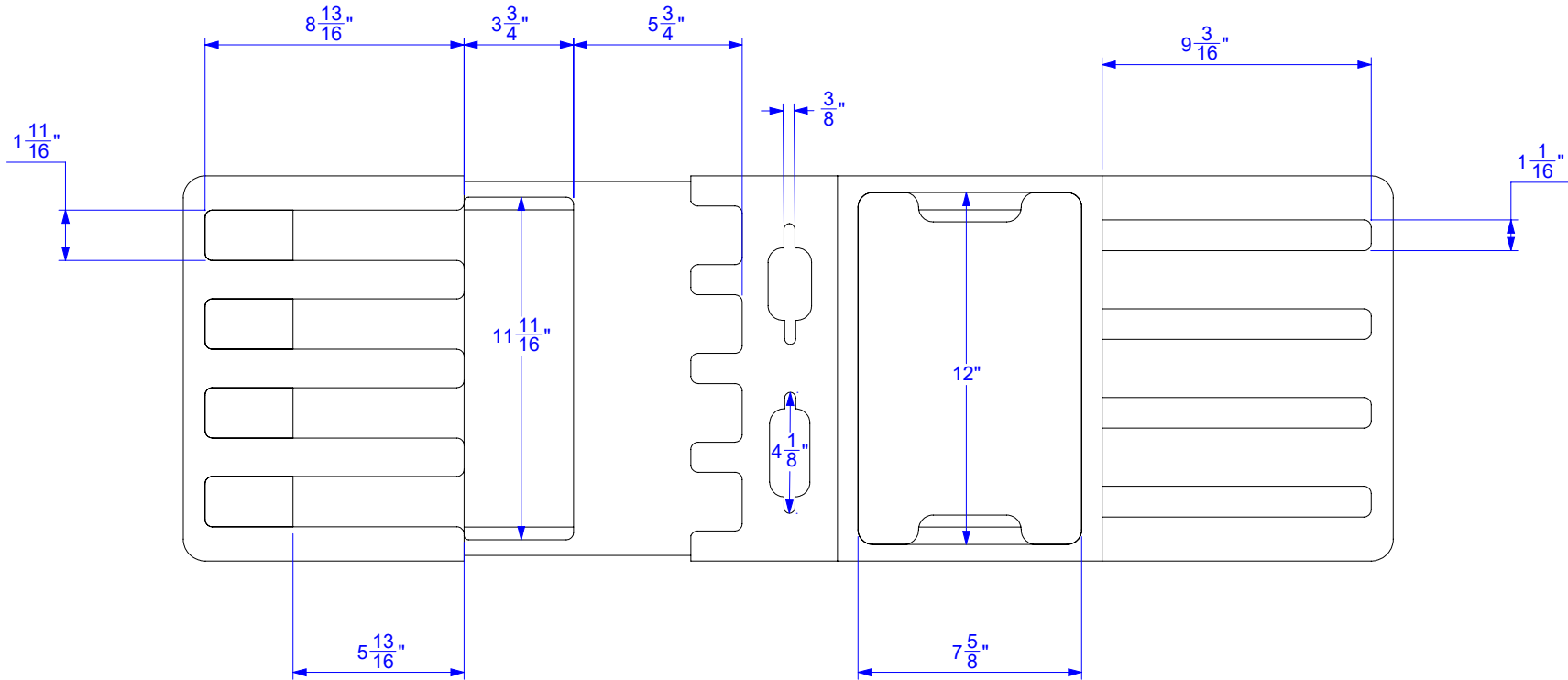
SIGNATURE

DATE

**TOLERANCES**

CUTOUTS +/- 1/16

OVERALL FOAM THICKNESS & CAVITY DEPTHS +/- 1/8



FOAM DENSITY MAY VARY. DIMENSIONS ARE IN INCHES UNLESS OTHERWISE SPECIFIED