

YOUR SIGNATURE IS REQUIRED FOR APPROVAL BEFORE ANY RELEASE OF PRODUCTION DRAWINGS

SIGNATURE

DATE

**TOLERANCES**

CUTOUTS +/- 1/16

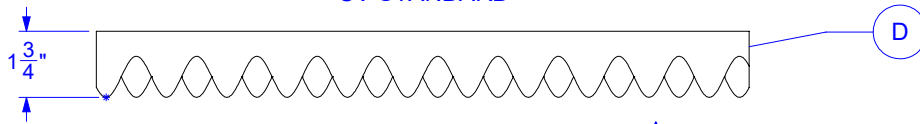
OVERALL FOAM THICKNESS & CAVITY DEPTHS +/- 1/8

GLUED TO CASE TOP  BASE  VELCRO  EXTRA

REVISIONS

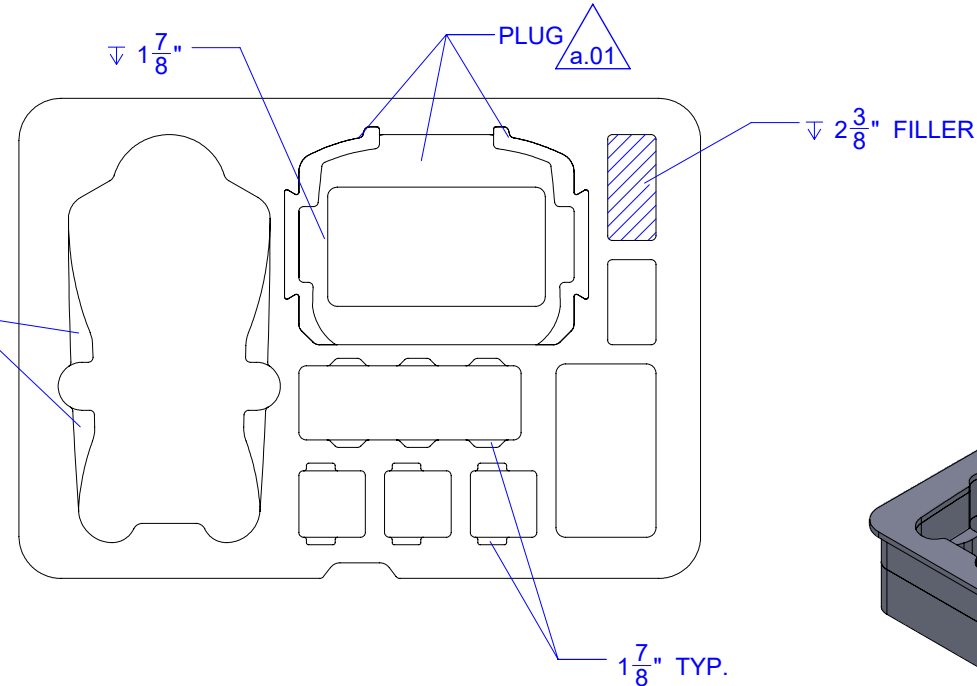
REV.	DESCRIPTION	DATE	INIT
a.01	MODIFICATION REMOTE CAVITY	2025-06-04	DB
p.00	PRODUCTION OF a.01	2025-08-04	DB

CV STANDARD



LID TRAY - ELEVATION

1-92503

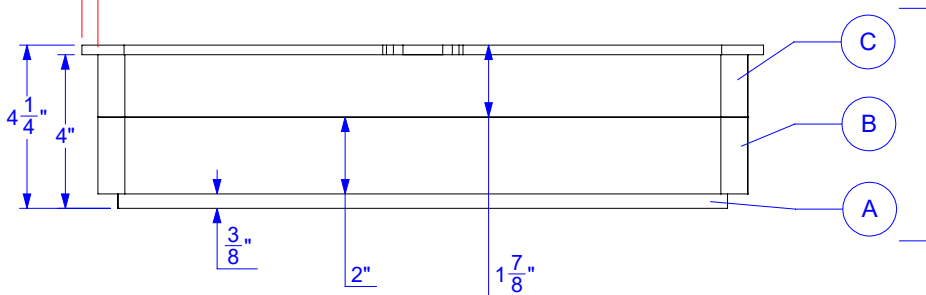


BASE TRAY

CAVITIES ARE  $\nabla 3 \frac{7}{8}$ "  
UNLESS OTHERWISE INDICATED

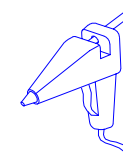
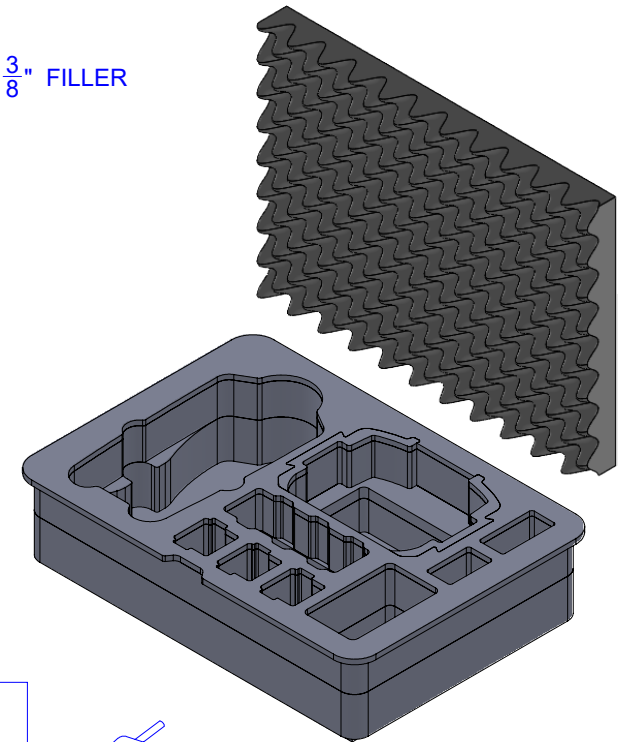
TOUTES LES CAVITÉS ONT  $\nabla 3 \frac{7}{8}$ "  
SAUF CELLES INDIQUÉES

$\frac{7}{16}$ " REF



BASE TRAY - ELEVATION

1-925-C2301-B



FOAM DENSITY MAY VARY  
DIMENSIONS ARE IN INCHES UNLESS OTHERWISE SPECIFIED

YOUR SIGNATURE IS REQUIRED FOR APPROVAL BEFORE ANY RELEASE OF PRODUCTION DRAWINGS

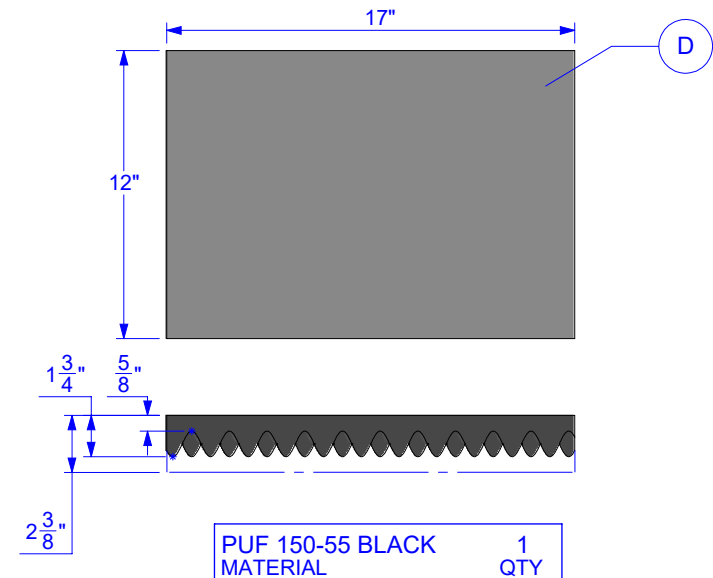
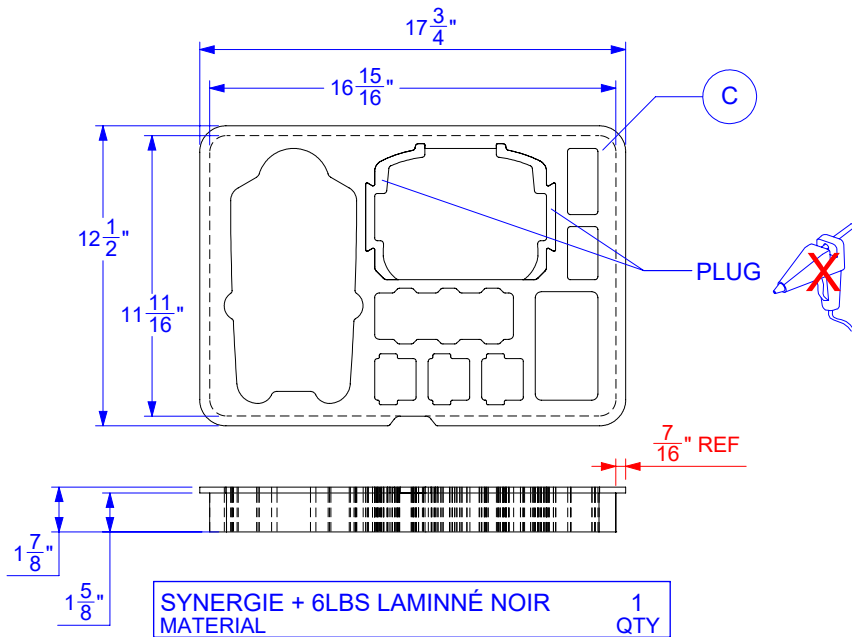
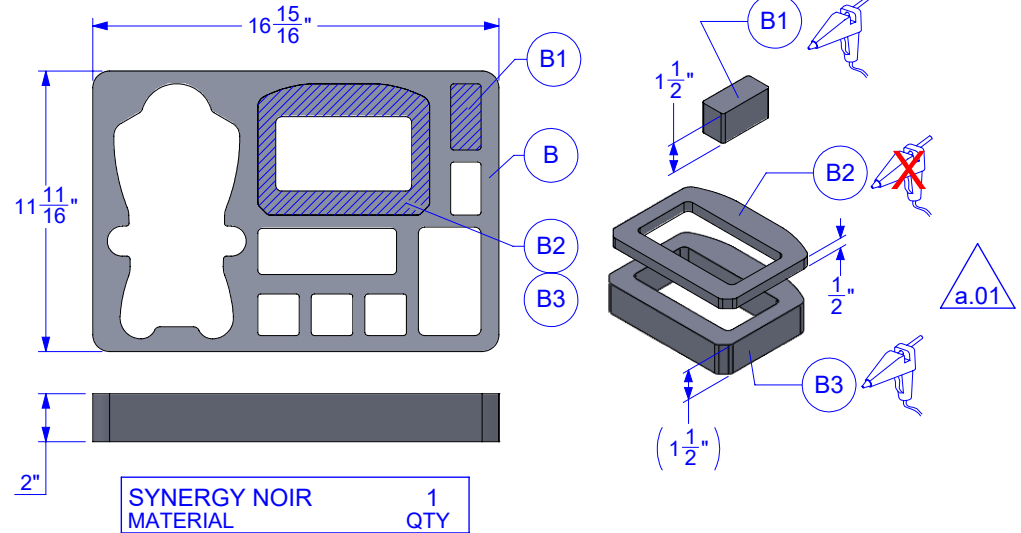
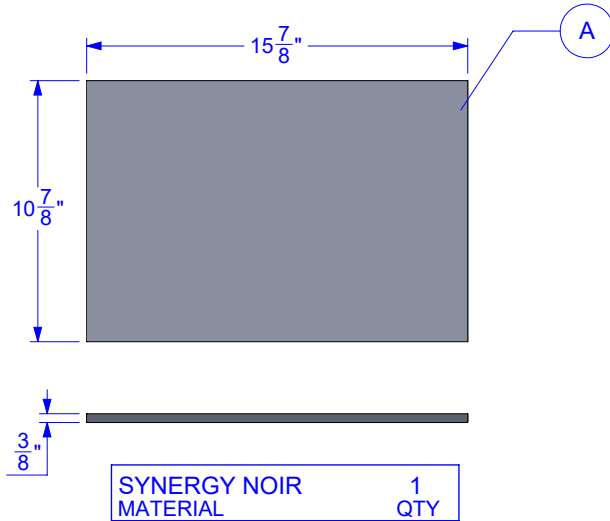
SIGNATURE

DATE

**TOLERANCES**

CUTOUTS +/- 1/16

OVERALL FOAM THICKNESS & CAVITY DEPTHS +/- 1/8



FOAM DENSITY MAY VARY. DIMENSIONS ARE IN INCHES UNLESS OTHERWISE SPECIFIED

YOUR SIGNATURE IS REQUIRED FOR APPROVAL BEFORE ANY RELEASE OF PRODUCTION DRAWINGS

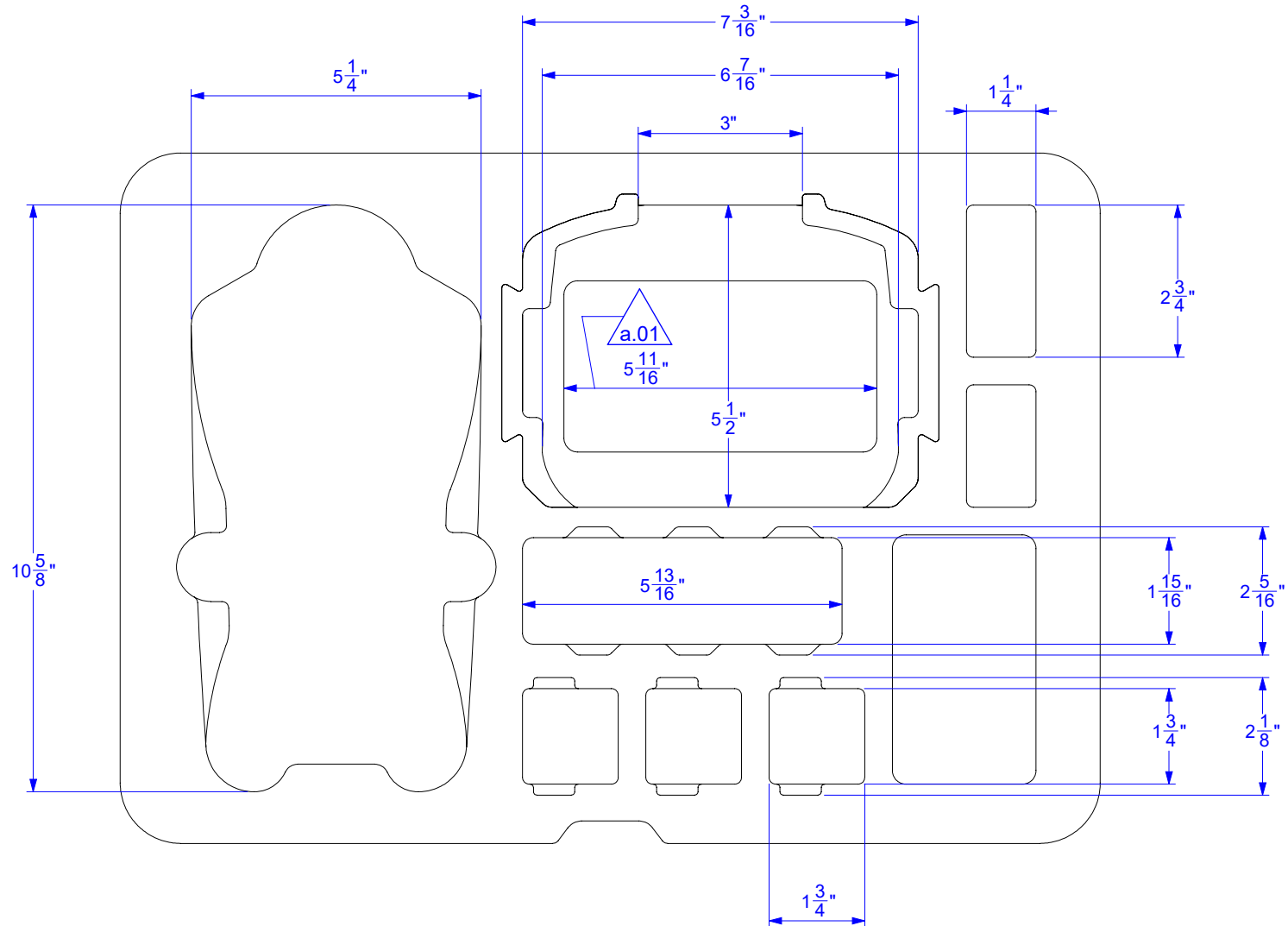
**TOLERANCES**

CUTOUTS +/- 1/16

OVERALL FOAM THICKNESS & CAVITY DEPTHS +/- 1/8

SIGNATURE

DATE



FOAM DENSITY MAY VARY  
 DIMENSIONS ARE IN INCHES UNLESS OTHERWISE SPECIFIED