

# NANUK

1059, boul. des Entreprises Ouest  
Terrebonne, QC Canada J6Y 1V2  
Tel 450.628.1006 1.800.783.6883  
www.nanuk.com

## COLLECTION

CLIENT NAME

YOUR SIGNATURE IS REQUIRED FOR APPROVAL BEFORE ANY RELEASE OF PRODUCTION DRAWINGS

SIGNATURE

DJI AVATA 2

PROJECT

925\_NANUK

PRODUCT

DATE

1-925-C1812\_p.00

DWG ID

STATUS

## TOLERANCES

CUTOUTS +/- 1/16

OVERALL FOAM THICKNESS & CAVITY DEPTHS +/- 1/8

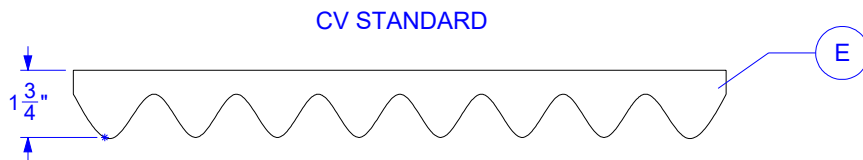
GLUED TO CASE TOP  BASE  VELCRO  EXTRA

### REVISIONS

REV.	DESCRIPTION	DATE	INIT
a.01	DESIGN MODIFICATIONS	2024-04-19	DB
p.00	AJUSTEMENT ET MISE EN PRODUCTION DE A.01	2024-04-24	DB

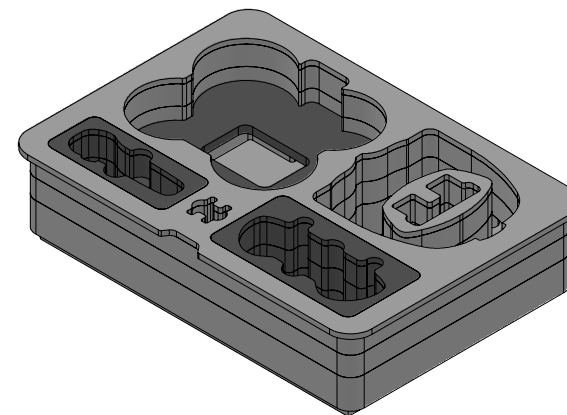
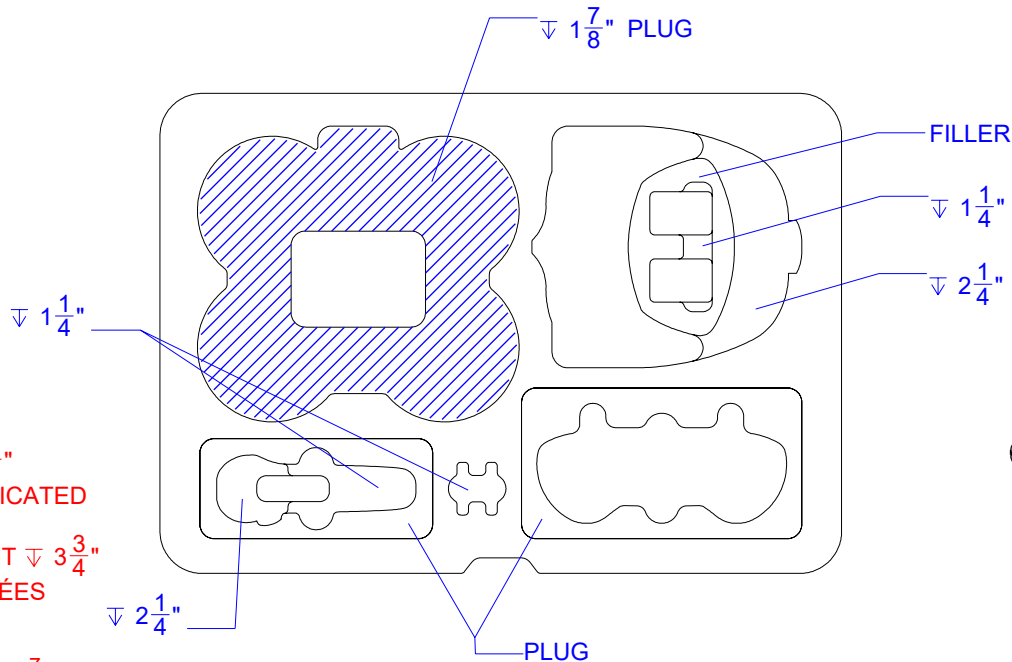
### LID TRAY - ELEVATION

1-92503



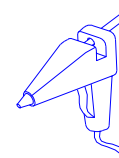
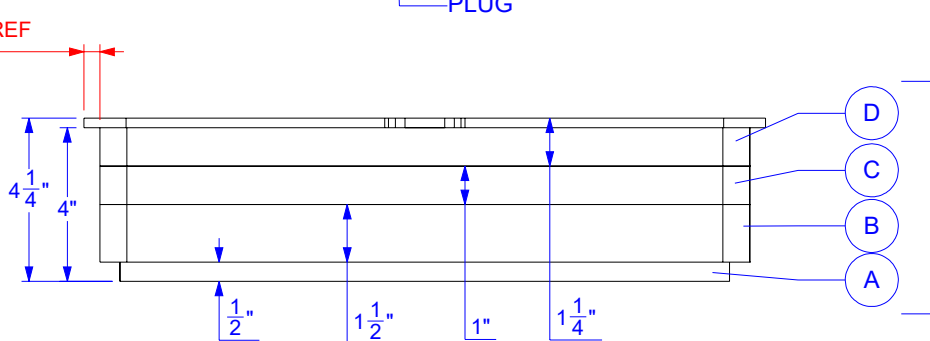
### BASE TRAY

CAVITIES ARE  $\nabla 3 \frac{3}{4}$ "  
UNLESS OTHERWISE INDICATED  
TOUTES LES CAVITÉS ONT  $\nabla 3 \frac{3}{4}$ "  
SAUF CELLES INDIQUÉES



### BASE TRAY - ELEVATION

1-925-C1812-B



FOAM DENSITY MAY VARY  
DIMENSIONS ARE IN INCHES UNLESS OTHERWISE SPECIFIED

#### PROPRIETARY AND CONFIDENTIAL

THE INFORMATION CONTAINED IN THIS DRAWING IS THE SOLE & EXCLUSIVE PROPERTY OF PLASTICASE INC.  
ANY REPRODUCTION IN PART OR WHOLE WITHOUT THE WRITTEN PERMISSION OF PLASTICASE INC. IS PROHIBITED.

DO NOT SCALE DRAWING  
SHEET SCALE 1:5

FRANK VITIELLO  
REPRESENTATIVE

D.BROUSSEAU  
DESIGNER

2024-04-24  
DATE

1/7

YOUR SIGNATURE IS REQUIRED FOR APPROVAL BEFORE ANY RELEASE OF PRODUCTION DRAWINGS

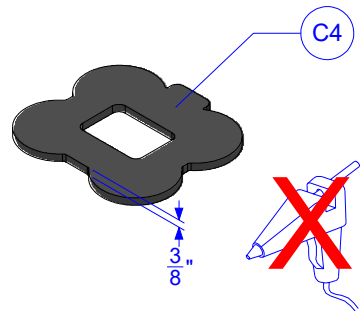
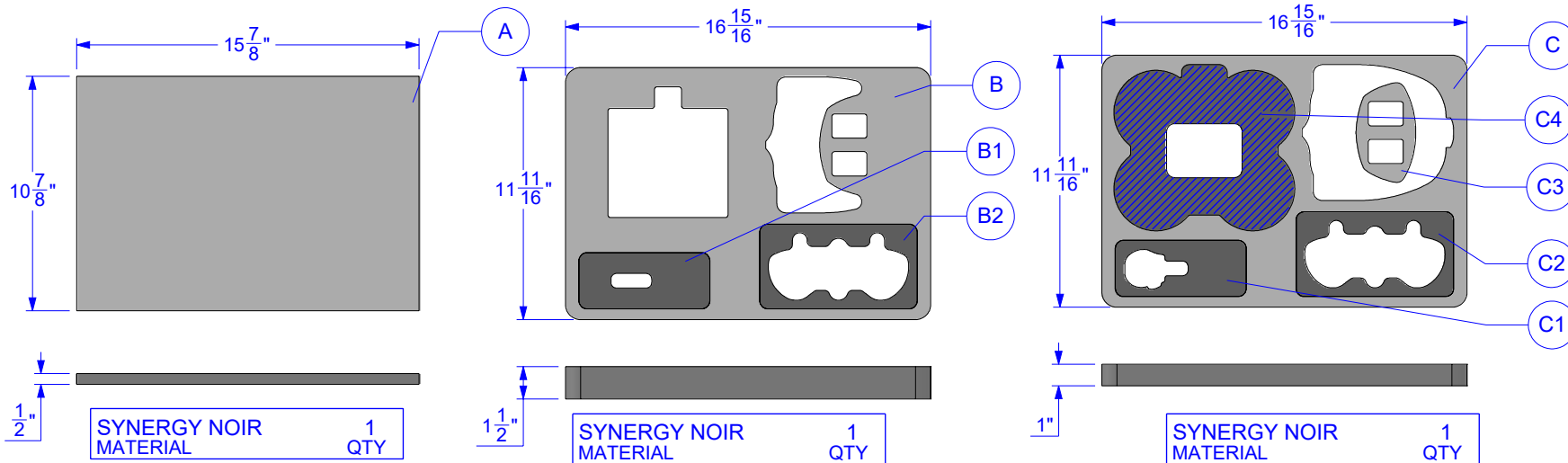
### TOLERANCES

CUTOUTS +/- 1/16

OVERALL FOAM THICKNESS & CAVITY DEPTHS +/- 1/8

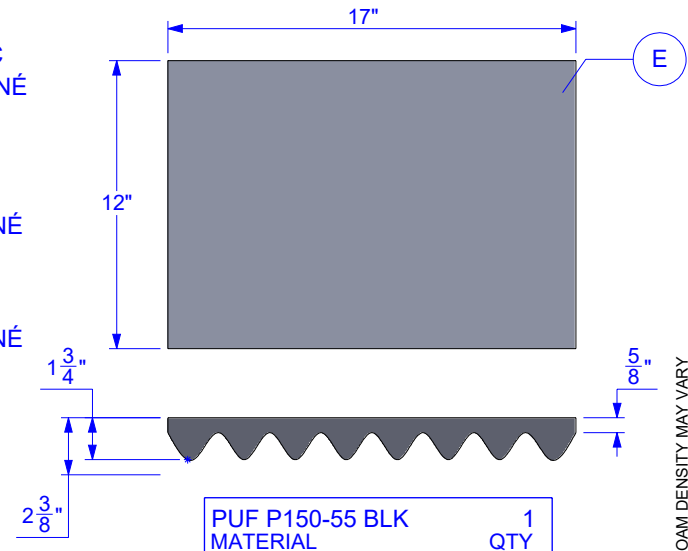
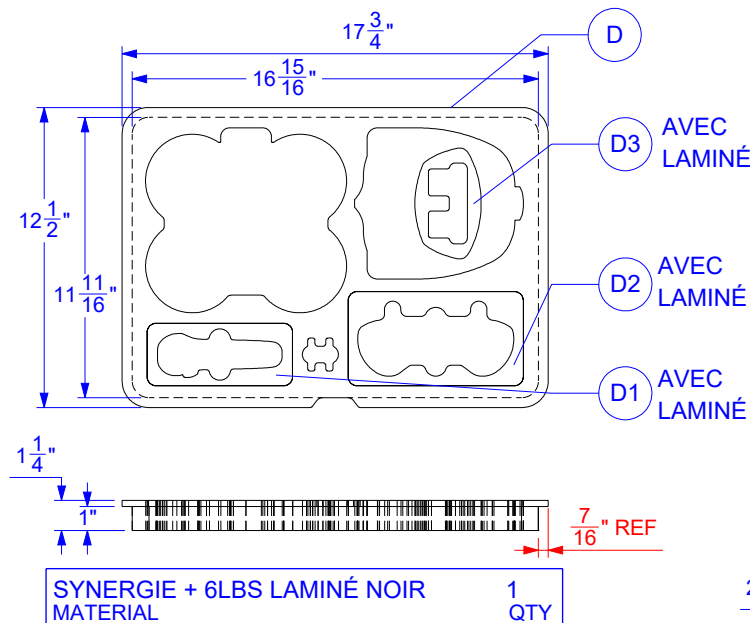
SIGNATURE

DATE



VOIR PAGE 3 POUR LES INSTRUCTIONS DE COLLAGE

SEE PAGE 3 FOR GLUING INSTRUCTIONS

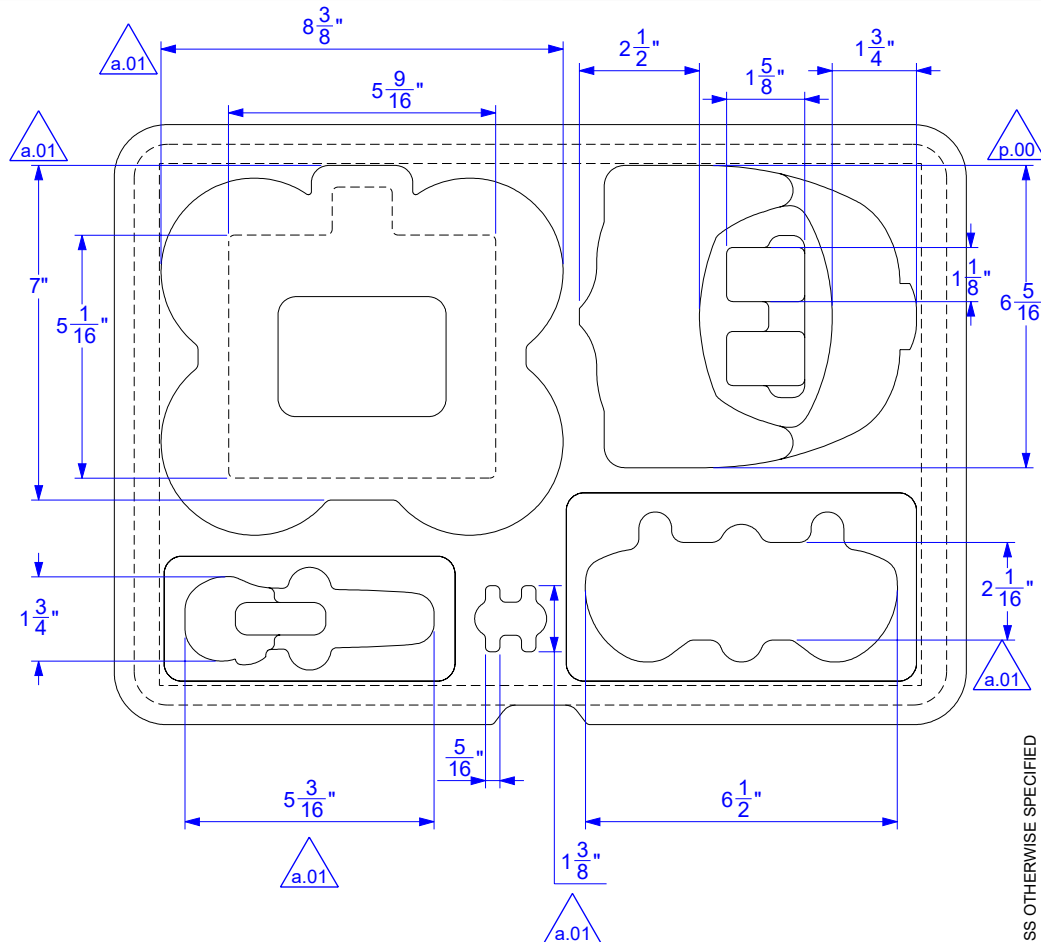
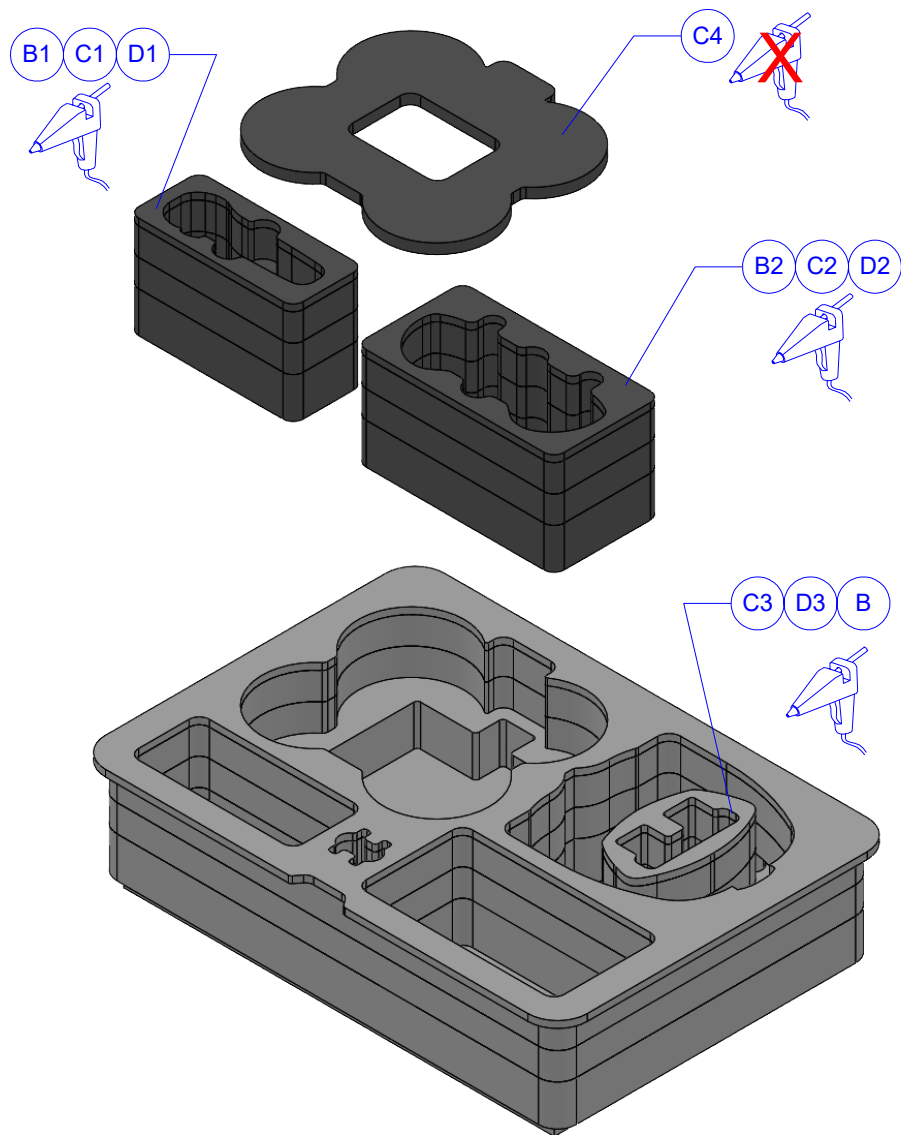


FOAM DENSITY MAY VARY. DIMENSIONS ARE IN INCHES UNLESS OTHERWISE SPECIFIED

### TOLERANCES

CUTOUTS +/- 1/16

OVERALL FOAM THICKNESS & CAVITY DEPTHS +/- 1/8



FOAM DENSITY MAY VARY. DIMENSIONS ARE IN INCHES UNLESS OTHERWISE SPECIFIED