

YOUR SIGNATURE IS REQUIRED FOR APPROVAL BEFORE ANY RELEASE OF PRODUCTION DRAWINGS

TOLERANCES

CUTOUTS +/- 1/16

OVERALL FOAM THICKNESS & CAVITY DEPTHS +/- 1/8

SIGNATURE

DATE

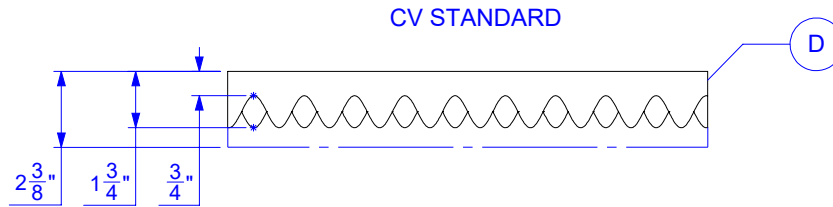
GLUED TO CASE TOP BASE VELCRO EXTRA

REVISIONS

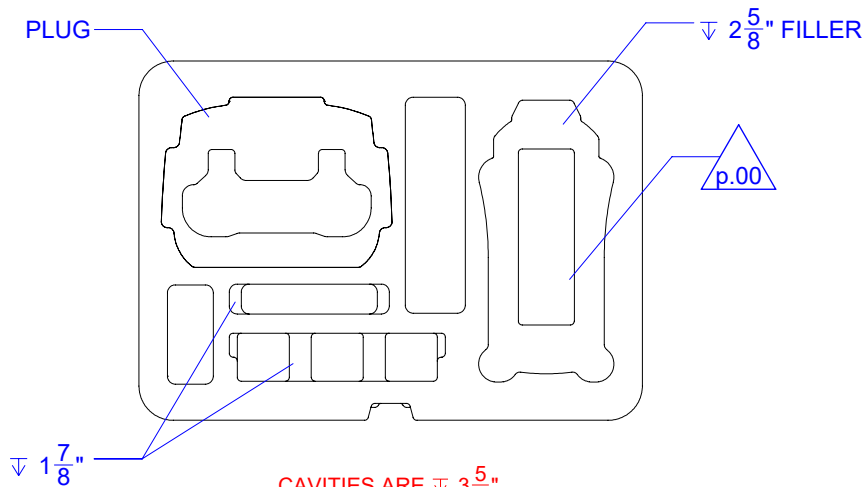
REV.	DESCRIPTION	DATE	INIT
a.01	GENERAL MODIFICATIONS	2024-11-27	GP
p.00	ADDED CAVITY + PRODUCTION READY	2024-12-04	GP

LID TRAY - ELEVATION

1-92003



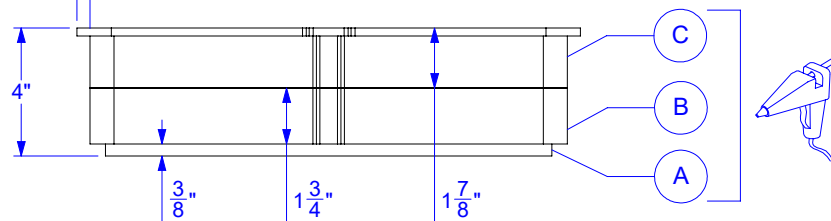
BASE TRAY



CAVITIES ARE $\nabla 3 \frac{5}{8}$ "
UNLESS OTHERWISE INDICATED

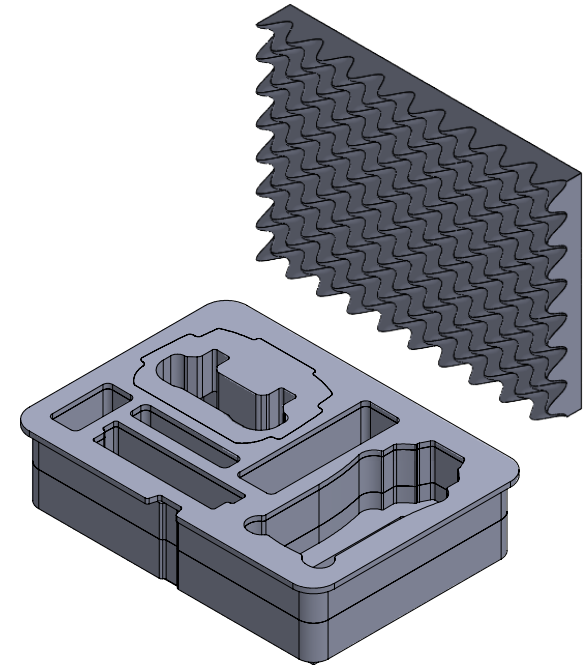
TOUTES LES CAVITÉS ONT $\nabla 3 \frac{5}{8}$ "
SAUF CELLES INDIQUÉES

$\frac{3}{8}$ " REF



BASE TRAY - ELEVATION

1-920-C2107-B



FOAM DENSITY MAY VARY
DIMENSIONS ARE IN INCHES UNLESS OTHERWISE SPECIFIED

YOUR SIGNATURE IS REQUIRED FOR APPROVAL BEFORE ANY RELEASE OF PRODUCTION DRAWINGS

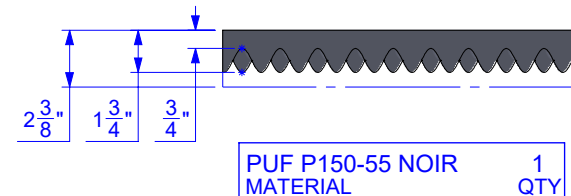
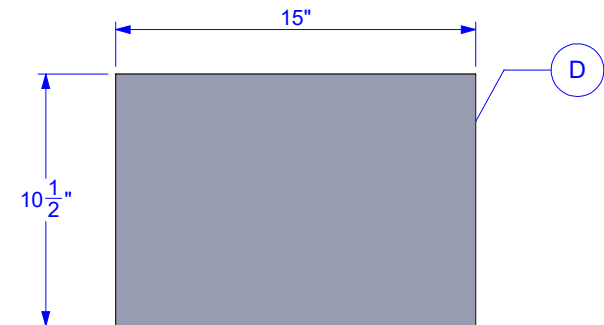
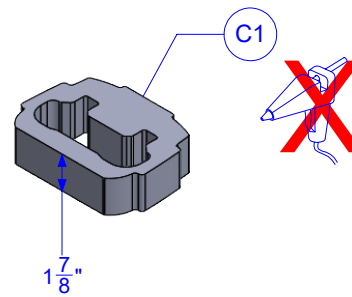
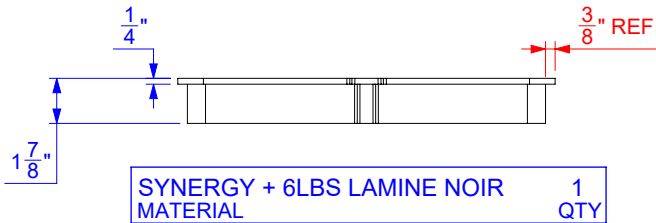
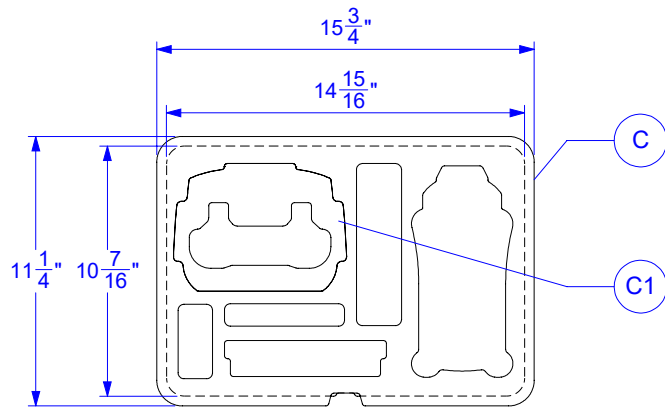
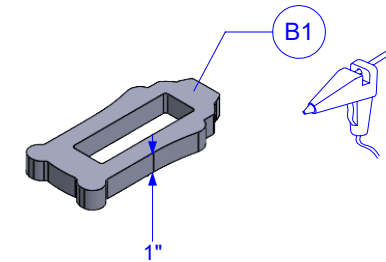
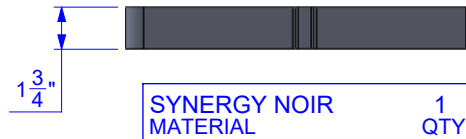
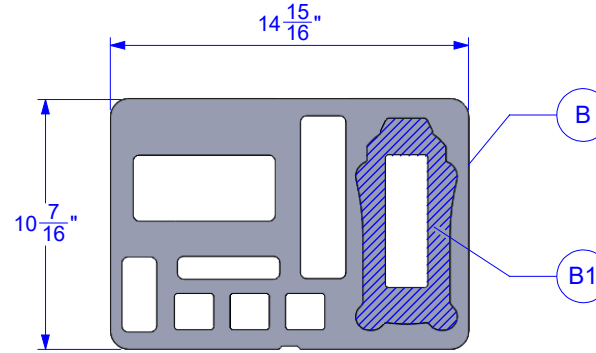
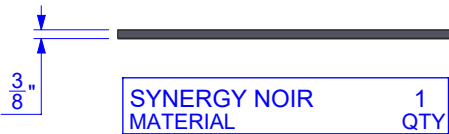
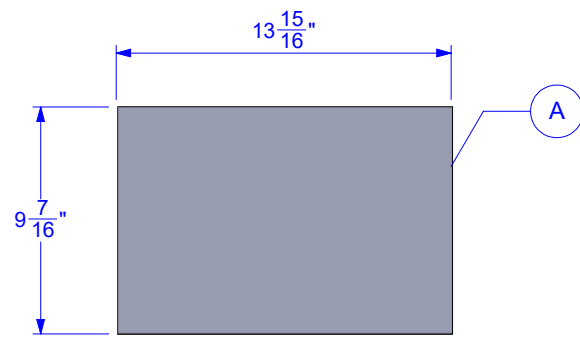
TOLERANCES

CUTOUTS +/- 1/16

OVERALL FOAM THICKNESS & CAVITY DEPTHS +/- 1/8

SIGNATURE

DATE



FOAM DENSITY MAY VARY. DIMENSIONS ARE IN INCHES UNLESS OTHERWISE SPECIFIED

