

NANUK

1059, boul. des Entreprises Ouest
Terrebonne, QC Canada J6Y 1V2
Tel 450-628-1006 1.800.783.6883
nanuk.com

DJI MINI 5 PRO FLY MORE

CLIENT NAME

INSERT

PROJECT

915_NANUK

PRODUCT

1-915-C2423_p.00

DWG ID

STATUS

YOUR SIGNATURE IS REQUIRED FOR APPROVAL BEFORE ANY RELEASE OF PRODUCTION DRAWINGS

SIGNATURE

DATE

TOLERANCES

CUTOUTS +/- 1/16

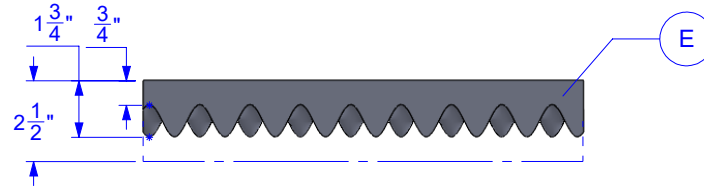
OVERALL FOAM THICKNESS & CAVITY DEPTHS +/- 1/8

GLUED TO CASE TOP BASE VELCRO EXTRA

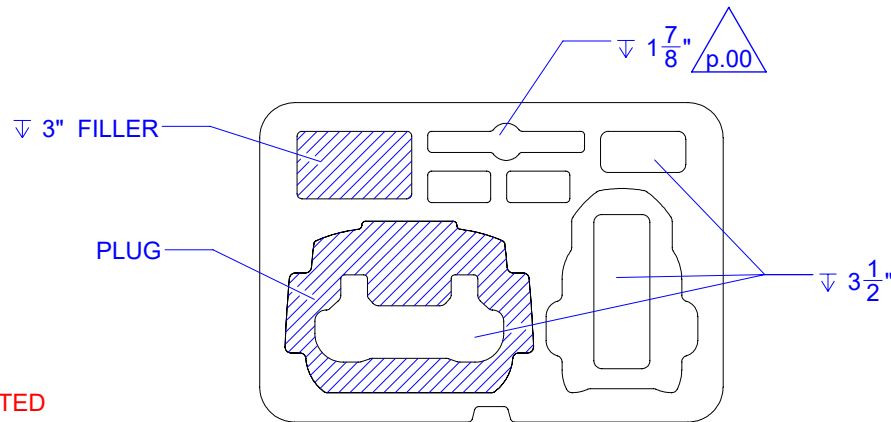
REVISIONS

REV.	DESCRIPTION	DATE	INIT
p.00	GENERAL MODIFICATIONS AND PRODUCTION OF A.00	2025-09-25	DB

1-91503
CV STANDARD

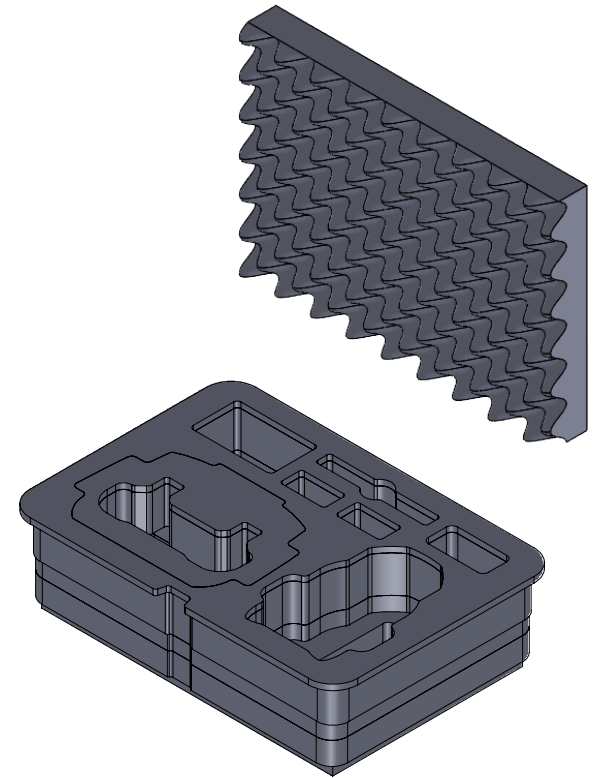


BASE TRAY



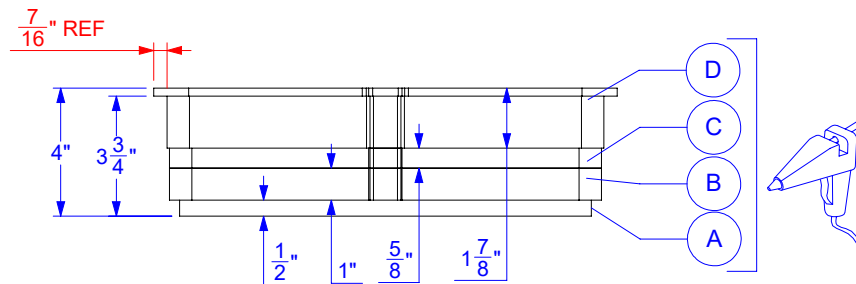
CAVITIES ARE $\nabla 2\frac{1}{2}$ "
UNLESS OTHERWISE INDICATED

TOUTES LES CAVITÉS ONT $\nabla 2\frac{1}{2}$ "
SAUF CELLES INDIQUÉES



BASE TRAY - ELEVATION

1-915-F2423-B



FOAM DENSITY MAY VARY
DIMENSIONS ARE IN INCHES UNLESS OTHERWISE SPECIFIED

PROPRIETARY AND CONFIDENTIAL

THE INFORMATION CONTAINED IN THIS DRAWING IS THE SOLE & EXCLUSIVE PROPERTY OF PLASTICASE INC.
ANY REPRODUCTION IN PART OR WHOLE WITHOUT THE WRITTEN PERMISSION OF PLASTICASE INC. IS PROHIBITED.

DO NOT SCALE DRAWING
SHEET SCALE 1:6

-
REPRESENTATIVE

D.BROUSSEAU
DESIGNER

2025-09-25
DATE

1/7

NANUK

1059, boul. des Entreprises Ouest
Terrebonne, QC Canada J6Y 1V2
Tel 450-628-1006 1.800.783.6883
nanuk.com

INSERT

PROJECT

915_NANUK

PRODUCT

1-915-C2423_p.00

DWG ID

STATUS

YOUR SIGNATURE IS REQUIRED FOR APPROVAL BEFORE ANY RELEASE OF PRODUCTION DRAWINGS

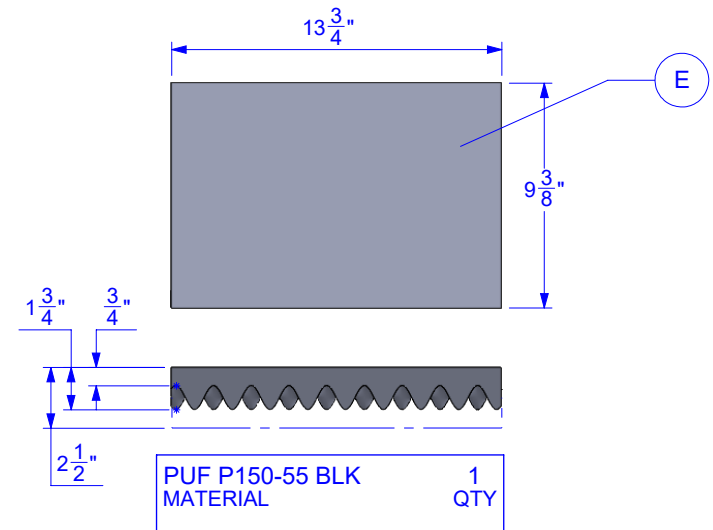
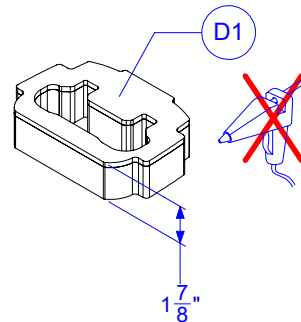
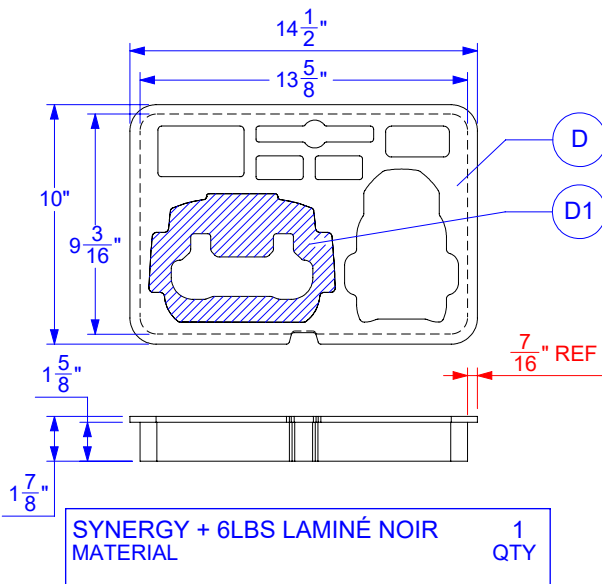
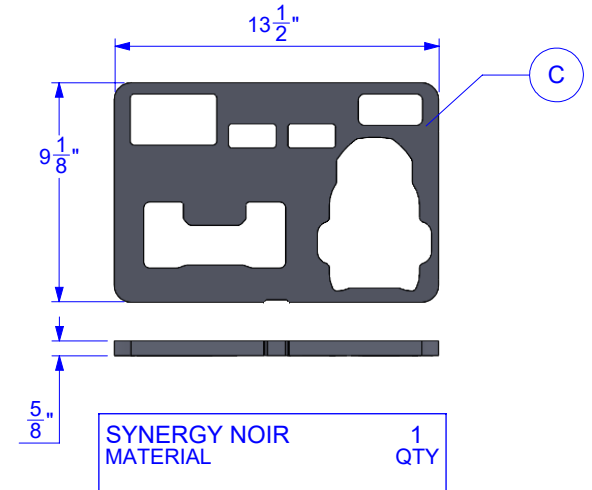
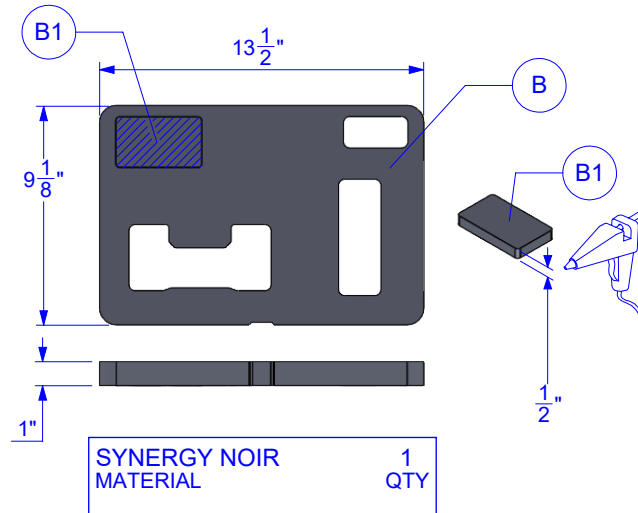
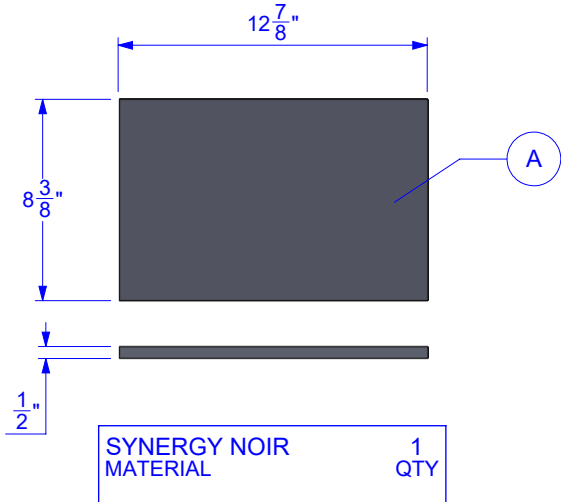
TOLERANCES

CUTOUTS +/- 1/16

OVERALL FOAM THICKNESS & CAVITY DEPTHS +/- 1/8

SIGNATURE

DATE



FOAM DENSITY MAY VARY
DIMENSIONS ARE IN INCHES UNLESS OTHERWISE SPECIFIED

PROPRIETARY AND CONFIDENTIAL

THE INFORMATION CONTAINED IN THIS DRAWING IS THE SOLE & EXCLUSIVE PROPERTY OF PLASTICASE INC.
ANY REPRODUCTION IN PART OR WHOLE WITHOUT THE WRITTEN PERMISSION OF PLASTICASE INC. IS PROHIBITED.

DO NOT SCALE DRAWING
SHEET SCALE 1:8

-
REPRESENTATIVE

D.BROUSSEAU
DESIGNER

2025-09-25
DATE

2/7

NANUK

1059, boul. des Entreprises Ouest
Terrebonne, QC Canada J6Y 1V2
Tel 450-628-1006 1.800.783.6883
nanuk.com

INSERT

PROJECT

YOUR SIGNATURE IS REQUIRED FOR APPROVAL BEFORE ANY RELEASE OF PRODUCTION DRAWINGS

SIGNATURE

915_NANUK

PRODUCT

1-915-C2423_p.00

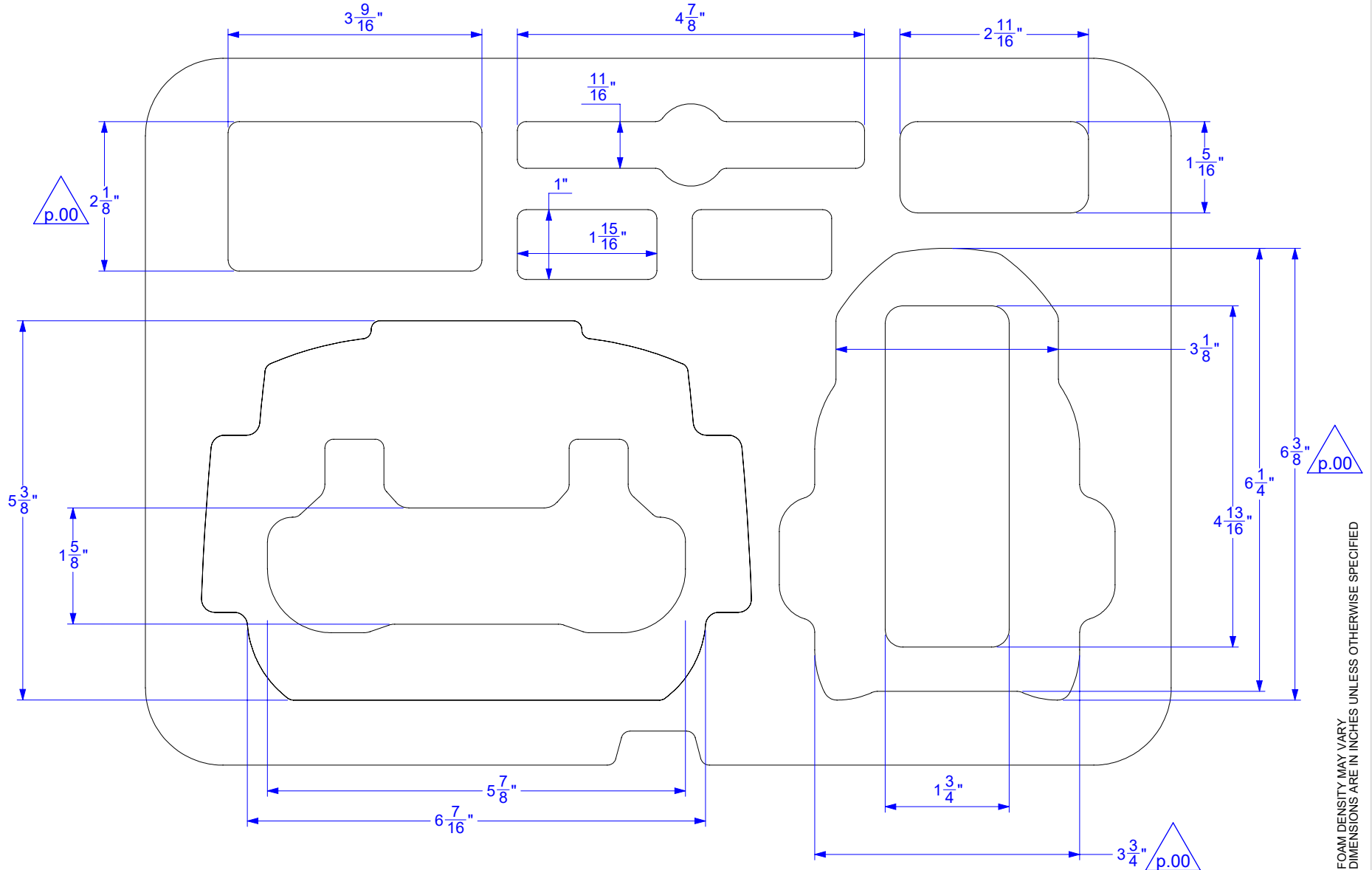
DWG ID

STATUS

TOLERANCES

CUTOUTS +/- 1/16

OVERALL FOAM THICKNESS & CAVITY DEPTHS +/- 1/8



PROPRIETARY AND CONFIDENTIAL

THE INFORMATION CONTAINED IN THIS DRAWING IS THE SOLE & EXCLUSIVE PROPERTY OF PLASTICASE INC.
ANY REPRODUCTION IN PART OR WHOLE WITHOUT THE WRITTEN PERMISSION OF PLASTICASE INC. IS PROHIBITED.

DO NOT SCALE DRAWING
SHEET SCALE 1:2

-
REPRESENTATIVE

D.BROUSSEAU
DESIGNER

2025-09-25
DATE

3/7