

YOUR SIGNATURE IS REQUIRED FOR APPROVAL BEFORE ANY RELEASE OF PRODUCTION DRAWINGS

SIGNATURE

DATE

TOLERANCES

CUTOUTS +/- 1/16

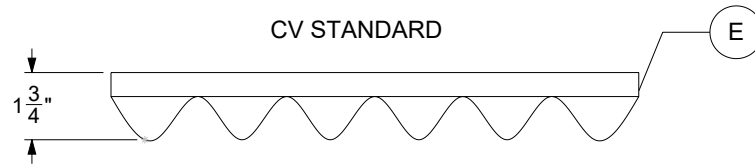
OVERALL FOAM THICKNESS & CAVITY DEPTHS +/- 1/8

GLUED TO CASE TOP BASE VELCRO EXTRA

REVISIONS			
REV.	DESCRIPTION	DATE	INIT
a.01	MODIFY CUTOUTS GEOMETRY	2023-10-02	DB
p.00	PRODUCTION OF a.01	2023-10-05	DB

LID TRAY - ELEVATION

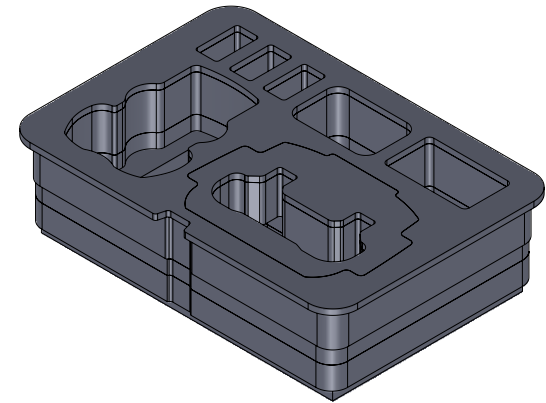
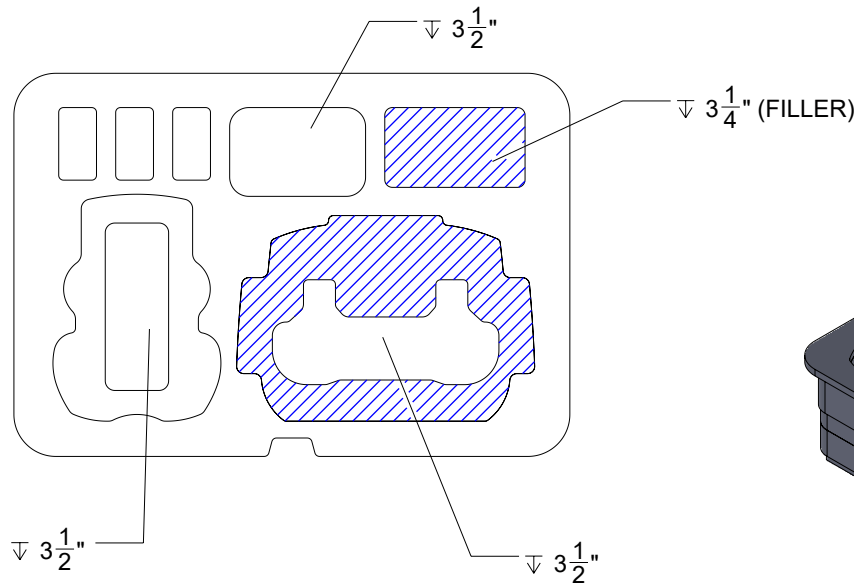
1-91503



BASE TRAY

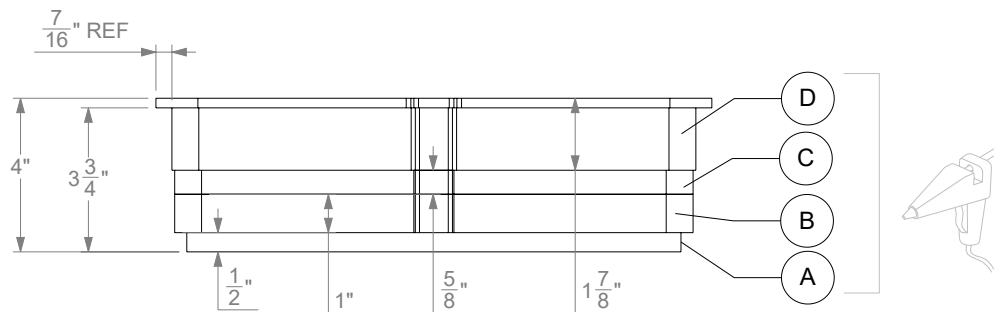
CAVITIES ARE $\nabla 2\frac{1}{2}$ "
UNLESS OTHERWISE INDICATED

TOUTES LES CAVITÉES ONT $2\frac{1}{2}$ "
SAUF CELLES INDIQUÉES



BASE TRAY - ELEVATION

1-915-C1589-B



FOAM DENSITY MAY VARY. DIMENSIONS ARE IN INCHES UNLESS OTHERWISE SPECIFIED

YOUR SIGNATURE IS REQUIRED FOR APPROVAL BEFORE ANY RELEASE OF PRODUCTION DRAWINGS

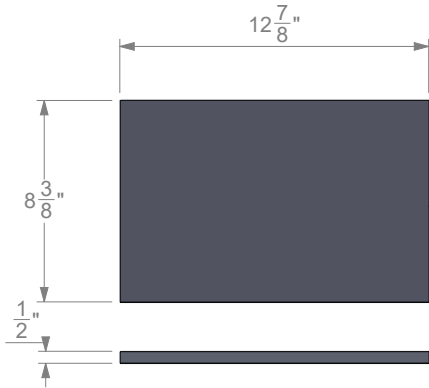
TOLERANCES

CUTOUTS +/- 1/16

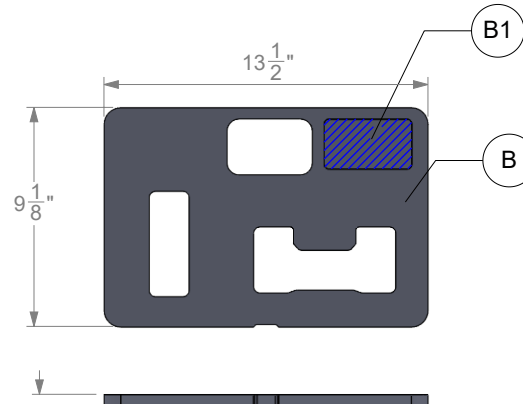
OVERALL FOAM THICKNESS & CAVITY DEPTHS +/- 1/8

SIGNATURE

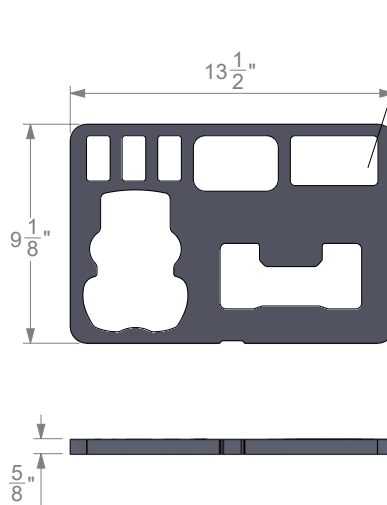
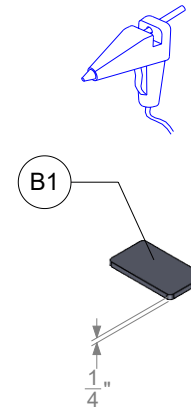
DATE



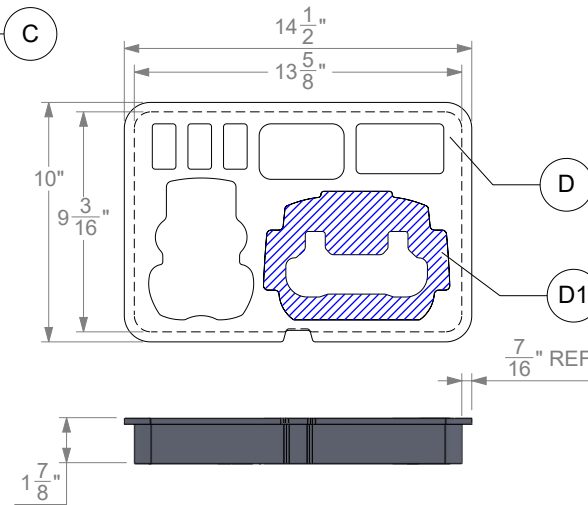
SYNERGIE 2LBS NOIR MATERIAL 1 QTY



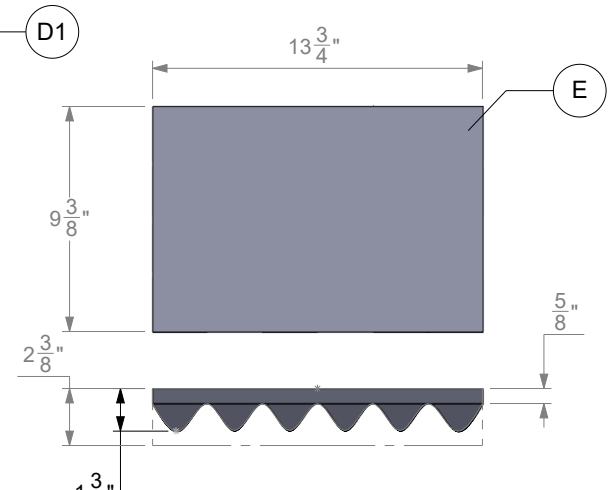
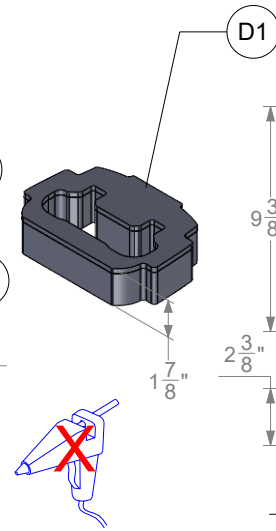
SYNERGIE 2LBS NOIR MATERIAL 1 QTY



SYNERGIE 2LBS NOIR MATERIAL 1 QTY



SYNERGIE + 6LBS LAMINÉ MATERIAL 1 QTY



PUF P150-55 BLK MATERIAL 1 QTY

FOAM DENSITY MAY VARY. DIMENSIONS ARE IN INCHES UNLESS OTHERWISE SPECIFIED



1059, boulevard des Entreprises Ouest
 Terrebonne, QC Canada J6Y 1V2
 Tel 450-628-1006 1.800.783.6883
 Fax 450-628-7801 1.888.783.6883
 www.plasticase.com

INSERT

PROJECT

915_NANUK

PRODUCT

1-915-C1589_p.00

DWG ID

STATUS

YOUR SIGNATURE IS REQUIRED FOR APPROVAL BEFORE ANY RELEASE OF PRODUCTION DRAWINGS

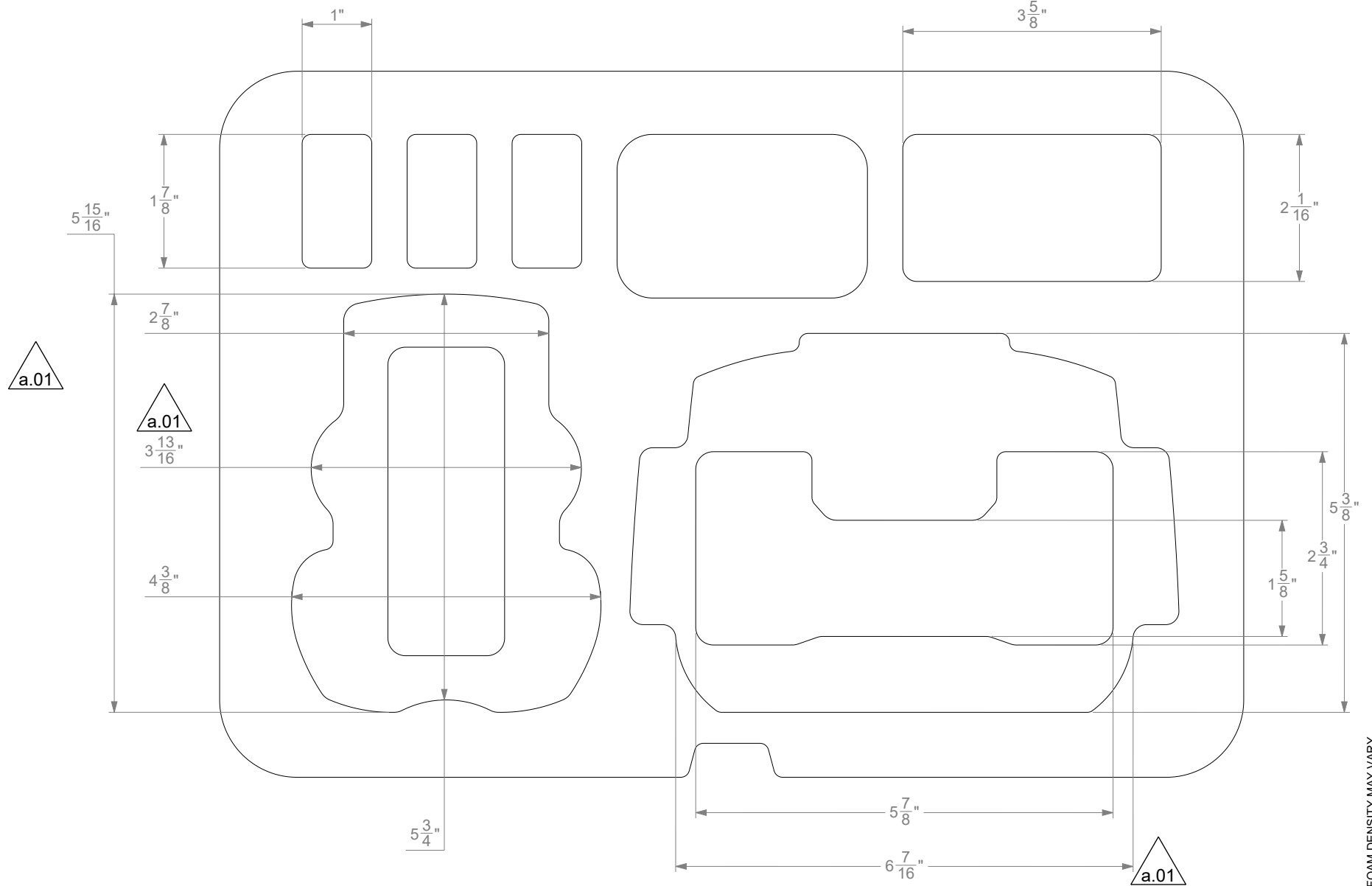
TOLERANCES

CUTOUTS +/- 1/16

OVERALL FOAM THICKNESS & CAVITY DEPTHS +/- 1/8

SIGNATURE

DATE



FOAM DENSITY MAY VARY
 DIMENSIONS ARE IN INCHES UNLESS OTHERWISE SPECIFIED

PROPRIETARY AND CONFIDENTIAL

THE INFORMATION CONTAINED IN THIS DRAWING IS THE SOLE & EXCLUSIVE PROPERTY OF PLASTICASE INC.
 ANY REPRODUCTION IN PART OR WHOLE WITHOUT THE WRITTEN PERMISSION OF PLASTICASE INC. IS PROHIBITED.

DO NOT SCALE DRAWING
 SHEET SCALE 1:2

FRANK VITIELLO
 REPRESENTATIVE

DOMINIQUE BROUSSEAU
 DESIGNER

2022-06-02
 DATE

3/7