

NANUK

1059, boul. des Entreprises Ouest
Terrebonne, QC Canada J6Y 1V2
Tel 450-628-1006 1.800.783.6883
nanuk.com

DJI OSMO POCKET 3

CLIENT NAME

INSERT

PROJECT

909_NANUK

PRODUCT

1-909-C1915_p.00

DWG ID

STATUS

YOUR SIGNATURE IS REQUIRED FOR APPROVAL BEFORE ANY RELEASE OF PRODUCTION DRAWINGS

SIGNATURE

DATE

TOLERANCES

CUTOUTS +/- 1/16

OVERALL FOAM THICKNESS & CAVITY DEPTHS +/- 1/8

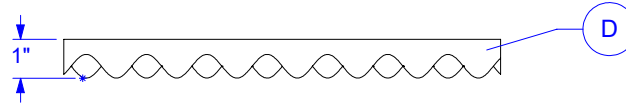
GLUED TO CASE TOP BASE VELCRO EXTRA

REVISIONS

REV.	DESCRIPTION	DATE	INIT
p.00	PRODUCTION OF a.00	2024-06-06	DB

LID TRAY - ELEVATION

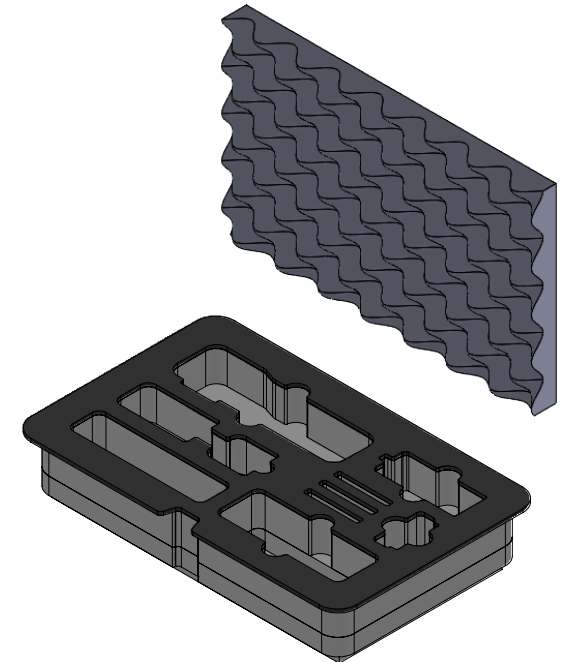
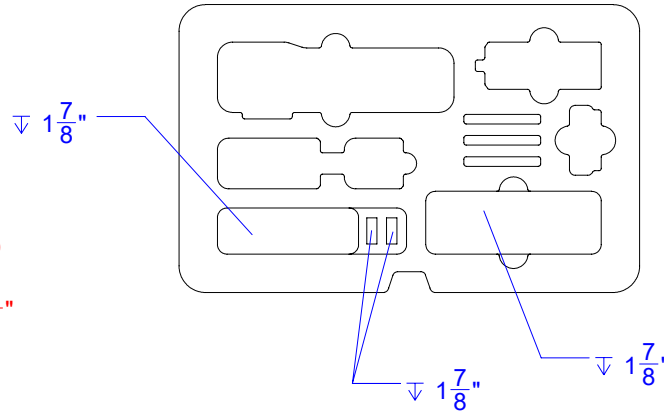
1-90903



BASE TRAY

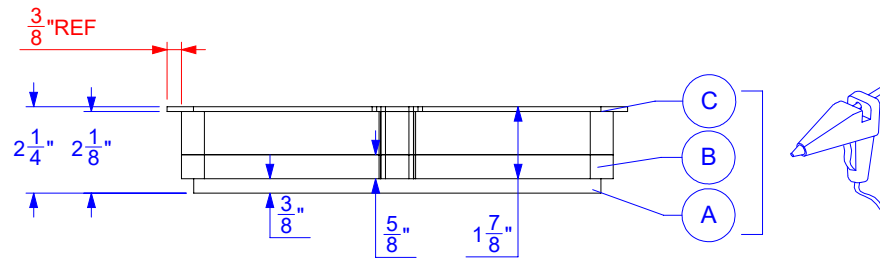
CAVITIES ARE $\nabla 1\frac{1}{4}$ "
UNLESS OTHERWISE INDICATED

TOUTES LES CAVITÉS ONT $\nabla 1\frac{1}{4}$ "
SAUF CELLES INDIQUÉES



BASE TRAY - ELEVATION

1-909-C1915-B



FOAM DENSITY MAY VARY
DIMENSIONS ARE IN INCHES UNLESS OTHERWISE SPECIFIED

PROPRIETARY AND CONFIDENTIAL

THE INFORMATION CONTAINED IN THIS DRAWING IS THE SOLE & EXCLUSIVE PROPERTY OF PLASTICASE INC.
ANY REPRODUCTION IN PART OR WHOLE WITHOUT THE WRITTEN PERMISSION OF PLASTICASE INC. IS PROHIBITED.

DO NOT SCALE DRAWING
SHEET SCALE 1:5

-
REPRESENTATIVE

D.BROUSSEAU
DESIGNER

2024-06-06
DATE

1/6

NANUK

1059, boul. des Entreprises Ouest
Terrebonne, QC Canada J6Y 1V2
Tel 450-628-1006 1.800.783.6883
nanuk.com

INSERT

PROJECT

YOUR SIGNATURE IS REQUIRED FOR APPROVAL BEFORE ANY RELEASE OF PRODUCTION DRAWINGS

SIGNATURE

909_NANUK

PRODUCT

1-909-C1915_p.00

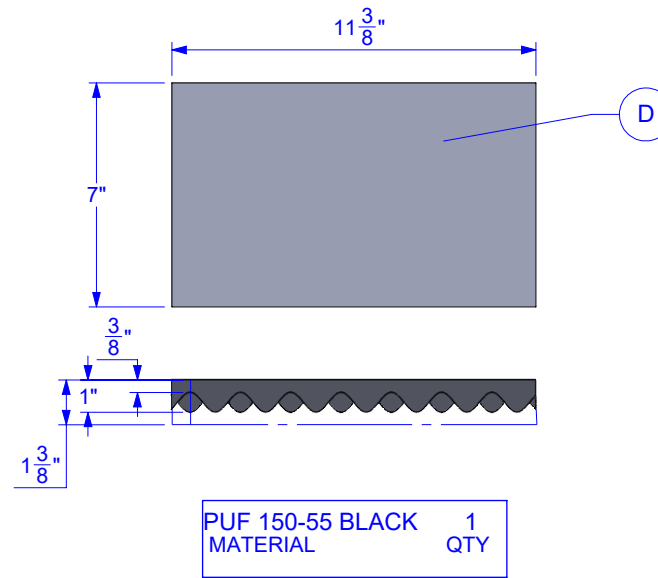
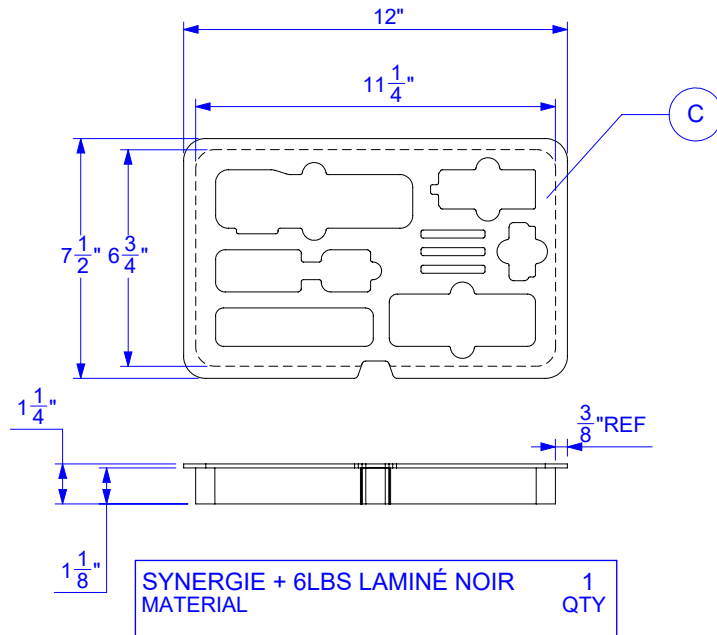
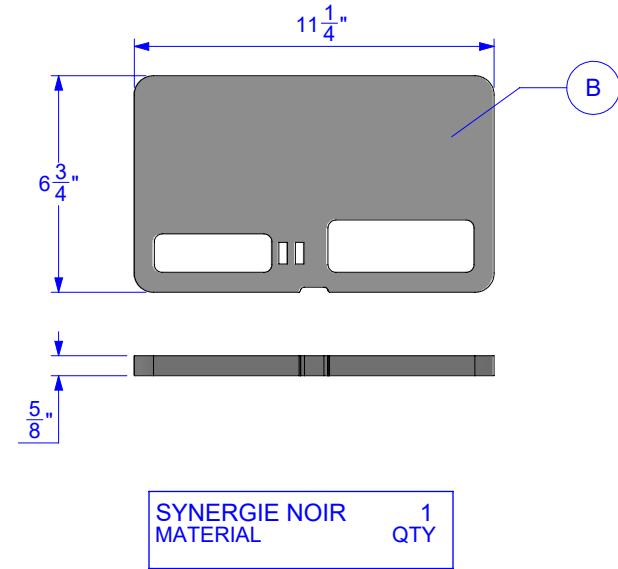
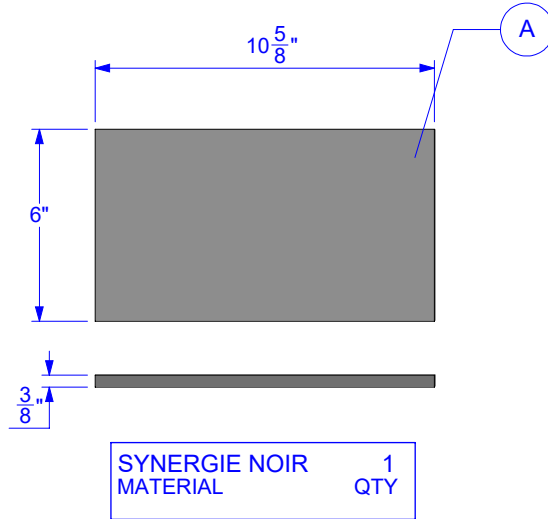
DWG ID

STATUS

TOLERANCES

CUTOUTS +/- 1/16

OVERALL FOAM THICKNESS & CAVITY DEPTHS +/- 1/8



FOAM DENSITY MAY VARY
DIMENSIONS ARE IN INCHES UNLESS OTHERWISE SPECIFIED

PROPRIETARY AND CONFIDENTIAL

THE INFORMATION CONTAINED IN THIS DRAWING IS THE SOLE & EXCLUSIVE PROPERTY OF PLASTICASE INC. ANY REPRODUCTION IN PART OR WHOLE WITHOUT THE WRITTEN PERMISSION OF PLASTICASE INC. IS PROHIBITED.

DO NOT SCALE DRAWING
SHEET SCALE 1:6

-
REPRESENTATIVE

D.BROUSSEAU
DESIGNER

2024-06-06
DATE

2/6

YOUR SIGNATURE IS REQUIRED FOR APPROVAL BEFORE ANY RELEASE OF PRODUCTION DRAWINGS

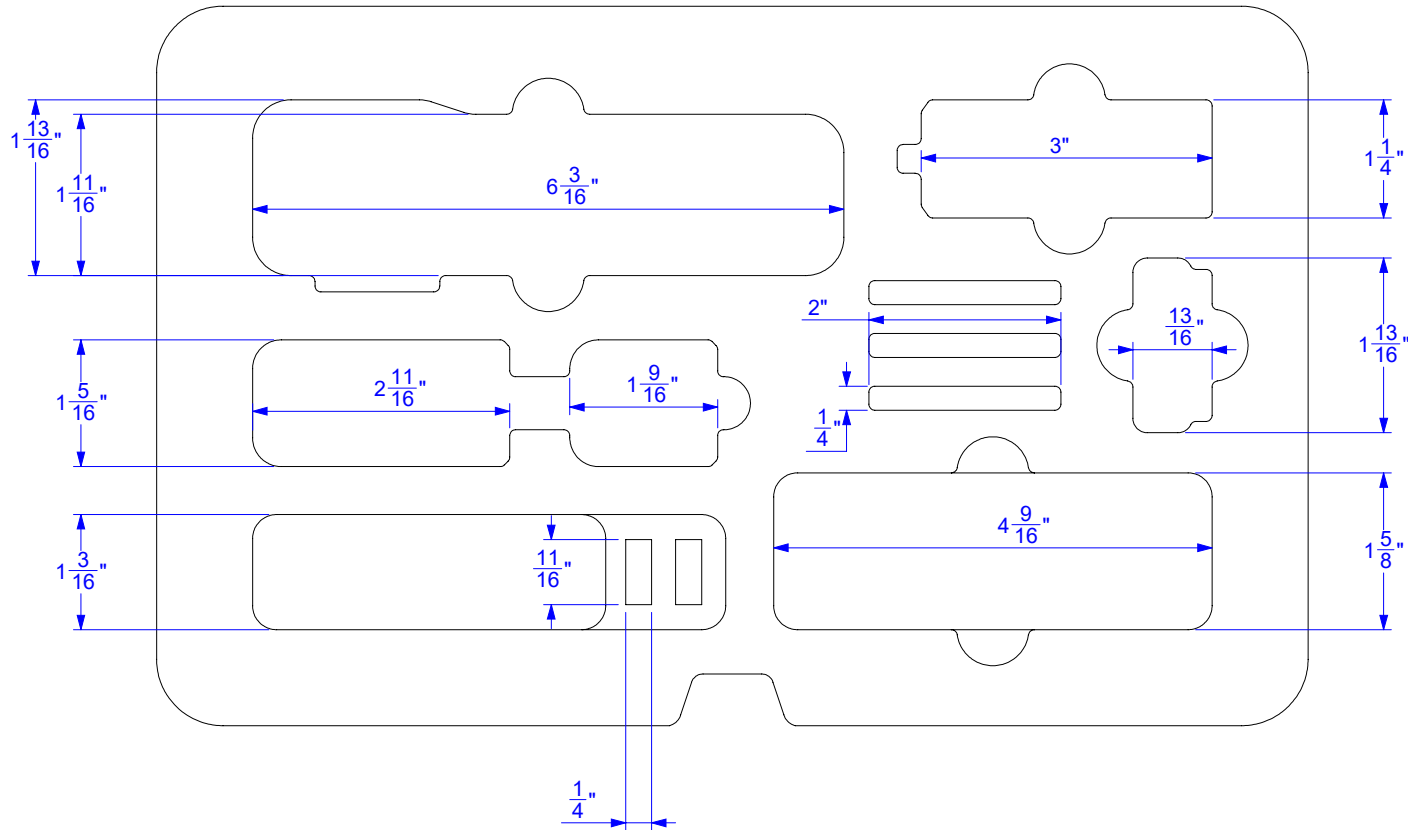
TOLERANCES

CUTOUTS +/- 1/16

OVERALL FOAM THICKNESS & CAVITY DEPTHS +/- 1/8

SIGNATURE

DATE



FOAM DENSITY MAY VARY
DIMENSIONS ARE IN INCHES UNLESS OTHERWISE SPECIFIED