

YOUR SIGNATURE IS REQUIRED FOR APPROVAL BEFORE ANY RELEASE OF PRODUCTION DRAWINGS

SIGNATURE

DATE

**TOLERANCES**

CUTOUTS +/- 1/16

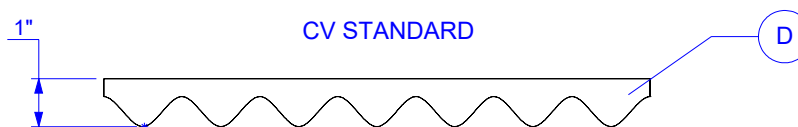
OVERALL FOAM THICKNESS & CAVITY DEPTHS +/- 1/8

GLUED TO CASE TOP  BASE  VELCRO  EXTRA

REVISIONS			
REV.	DESCRIPTION	DATE	INIT
p.00	PRODUCTION DE a.01	2022-06-08	DB
p.00.1	GENERAL MODIFICATION	2022-06-23	WV
r.01	ADAPT CAVITY FOR MINI 3 & MINI 3 PRO	2022-12-15	DB
p.01	MISE EN PRODUCTION VERSION r.01	2024-01-16	WV

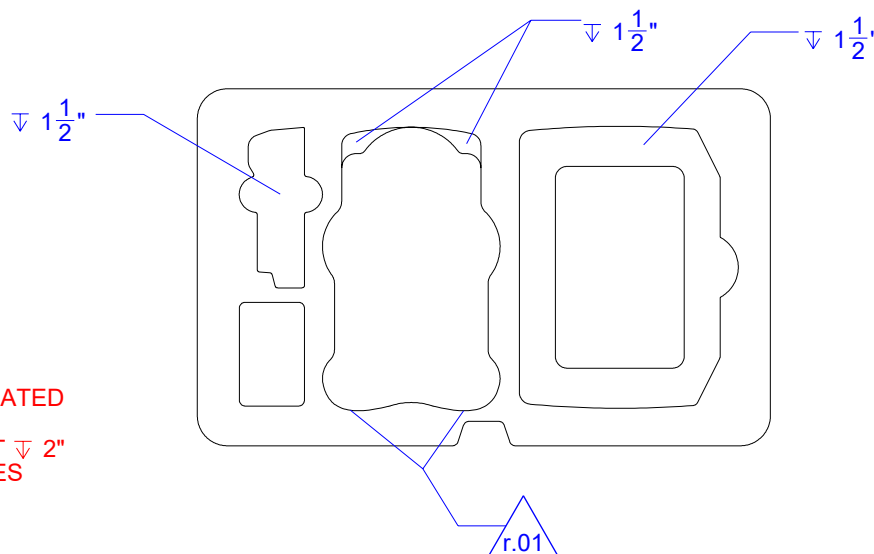
**LID TRAY - ELEVATION**

1-90903

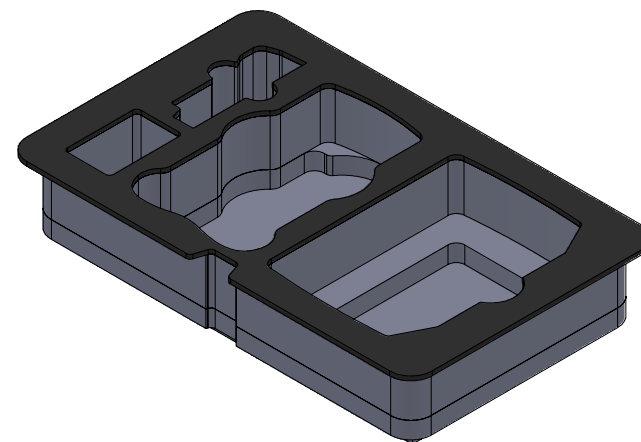


**BASE TRAY**

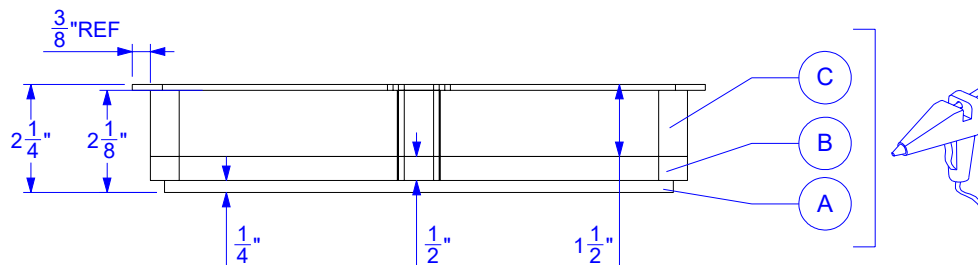
1-909-C0598-B



CAVITIES ARE  $\nabla$  2"  
UNLESS OTHERWISE INDICATED  
TOUTES LES CAVITÉES ONT  $\nabla$  2"  
SAUF CELLES INDIQUÉES



**BASE TRAY - ELEVATION**



FOAM DENSITY MAY VARY  
DIMENSIONS ARE IN INCHES UNLESS OTHERWISE SPECIFIED

YOUR SIGNATURE IS REQUIRED FOR APPROVAL BEFORE ANY RELEASE OF PRODUCTION DRAWINGS

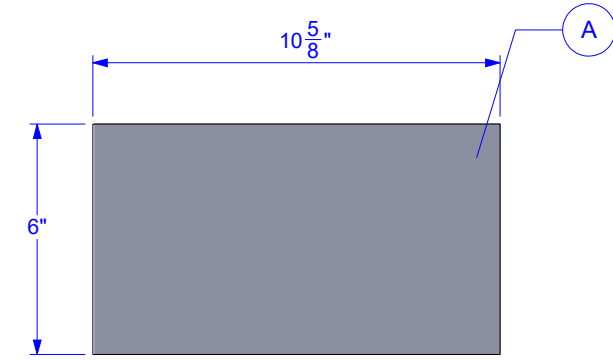
**TOLERANCES**

CUTOUTS +/- 1/16

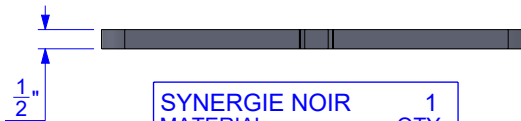
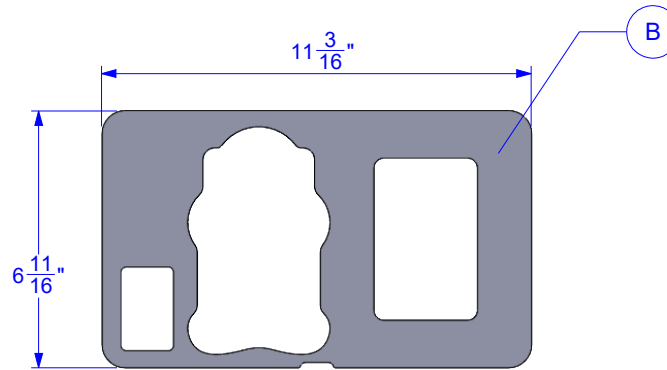
OVERALL FOAM THICKNESS & CAVITY DEPTHS +/- 1/8

SIGNATURE

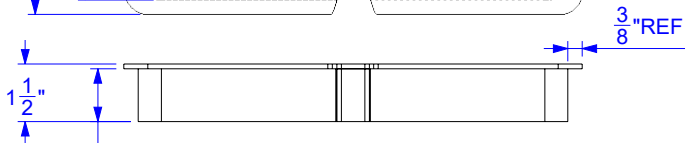
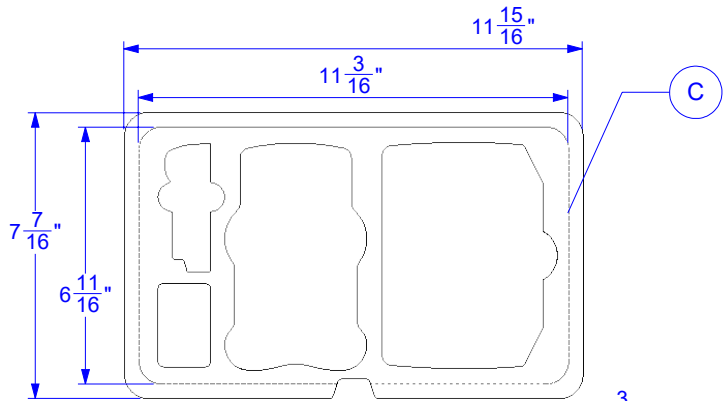
DATE



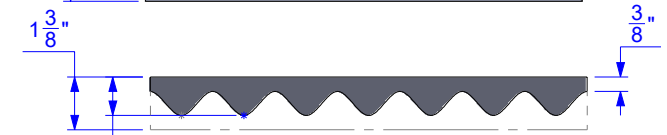
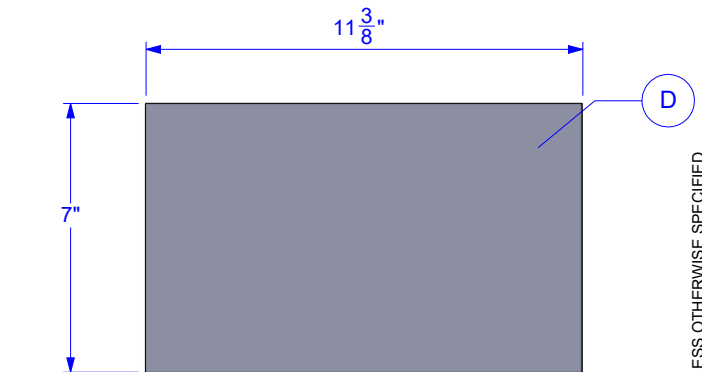
SYNERGIE NOIR 1  
MATERIAL QTY



SYNERGIE NOIR 1  
MATERIAL QTY



SYNERGIE + LAMINÉ NOIR 1  
MATERIAL QTY



PUF P150-55 BLACK 1  
MATERIAL QTY

FOAM DENSITY MAY VARY  
DIMENSIONS ARE IN INCHES UNLESS OTHERWISE SPECIFIED

YOUR SIGNATURE IS REQUIRED FOR APPROVAL BEFORE ANY RELEASE OF PRODUCTION DRAWINGS

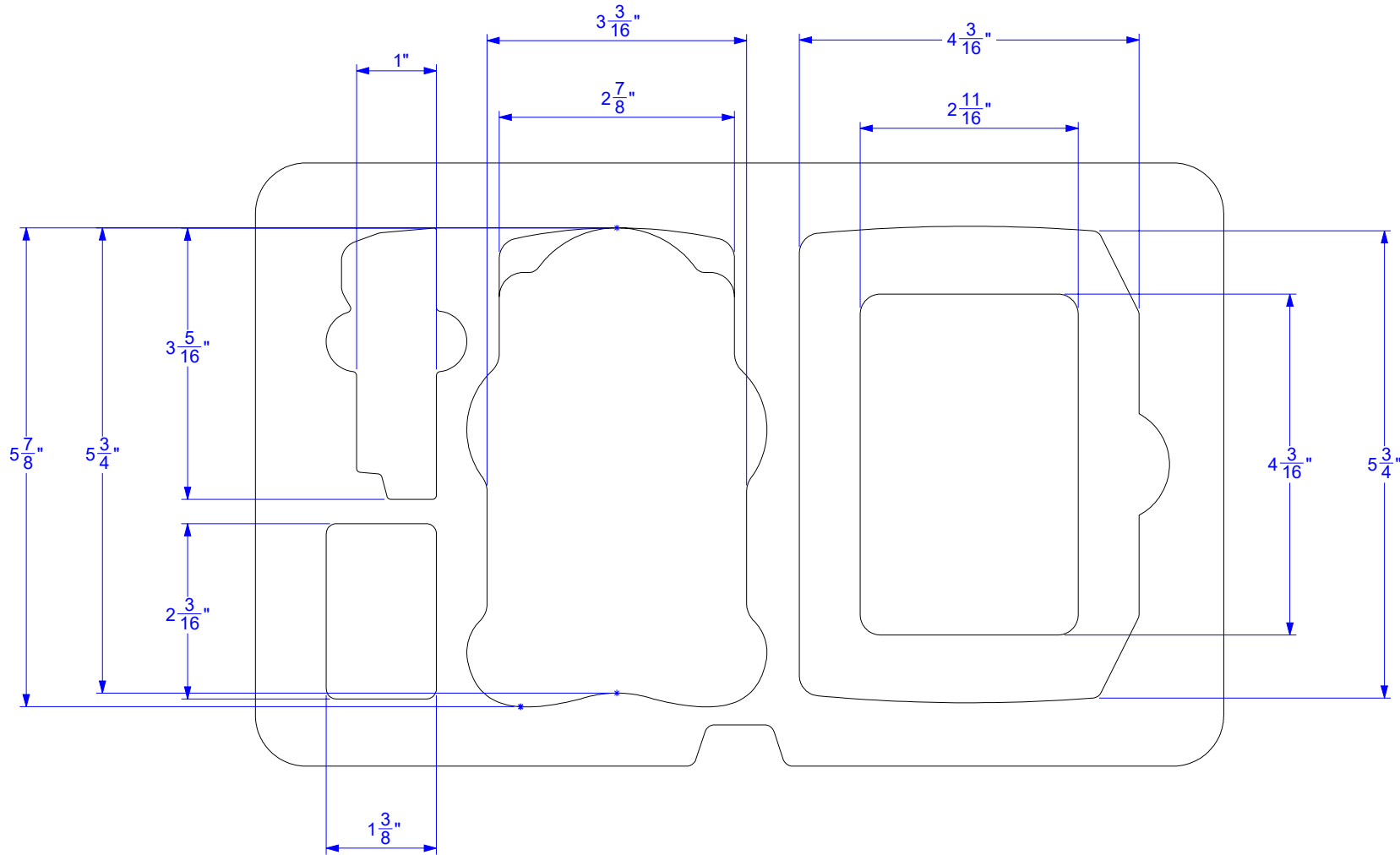
**TOLERANCES**

CUTOUTS +/- 1/16

OVERALL FOAM THICKNESS & CAVITY DEPTHS +/- 1/8

SIGNATURE

DATE



FOAM DENSITY MAY VARY. DIMENSIONS ARE IN INCHES UNLESS OTHERWISE SPECIFIED