

## PRODUCT FEATURES

### CONSTRUCTION

- 12MM BIRCH VENEER PLYWOOD WITH HPL EXTERIOR FACE AND PVC INTERIOR FACE
- ARMOR HARDWARE

### INSTALLED EQUIPMENT (NOT INCLUDED)

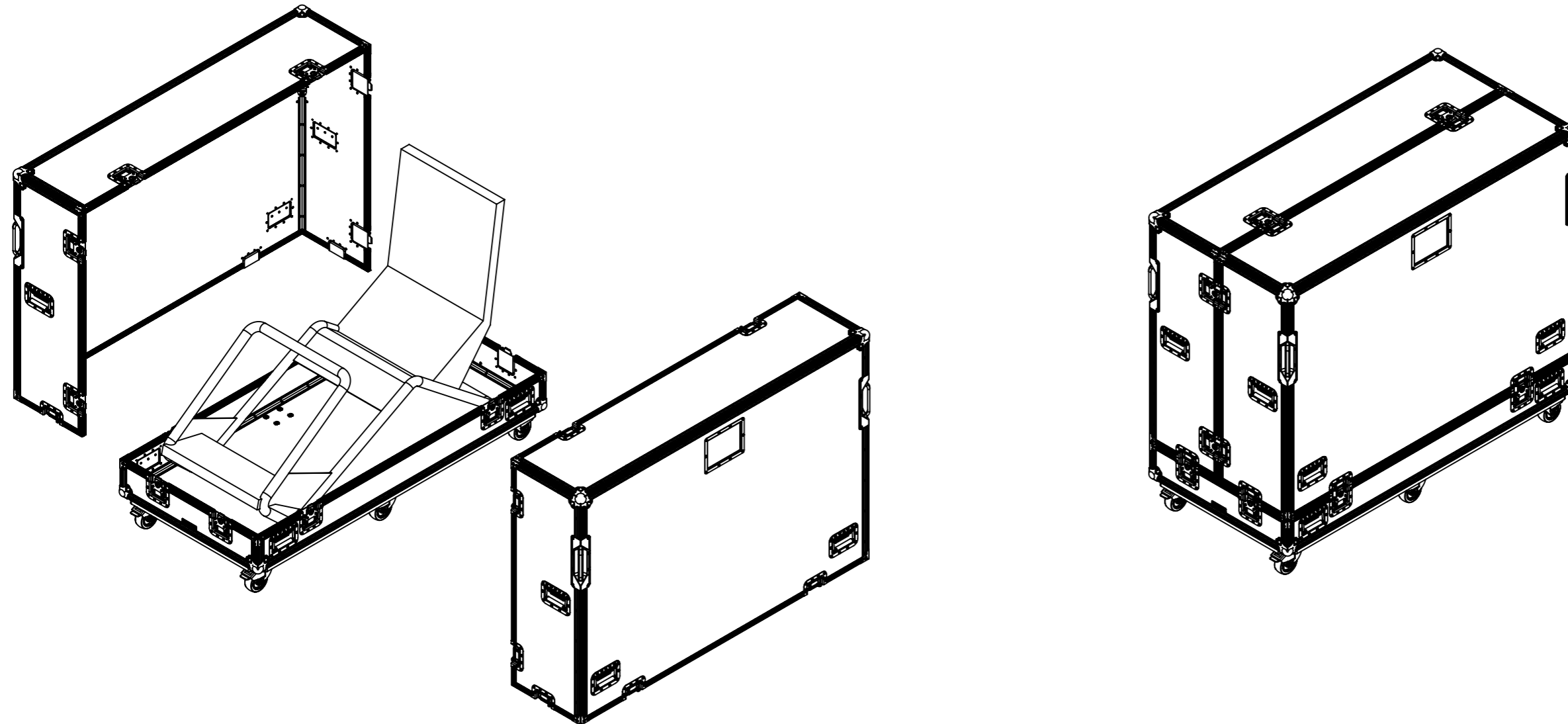
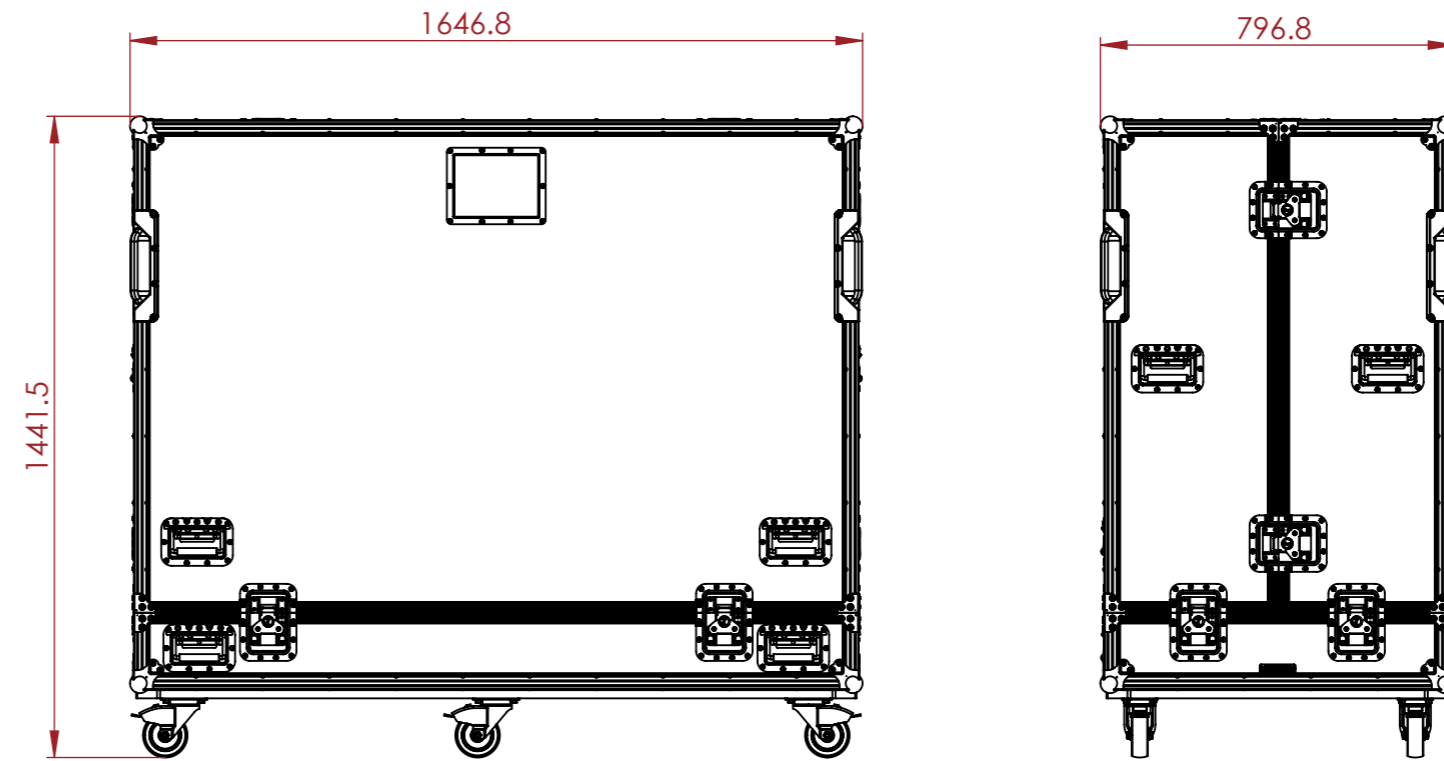
- PLAYSEAT TROPHY-LOGITECH G EDITION

### FEATURES

- SPLIT LID DESIGN

### KEY MEASUREMENTS

- INTERNAL DIMENSION - 1600X750X1250(WXDXH)



### NOTES:

UNLESS SPECIFIED IN THE DRAWING, ALL PRODUCTS DISPLAYED IN THIS DRAWING OTHER THAN THE CASE ITSELF IS NOT PART OF OUR PRODUCT OFFERING.

ESTIMATED WEIGHT (CASE ONLY):

115.33 KG

ITEM CODE:

SIM-LOGI-PLAYSG

DRAWN BY:

RP

CHECKED BY:

AS

SCALE:

NTS



MAIL : [sales@armorcases.com.au](mailto:sales@armorcases.com.au)  
WEB : [www.armorcases.com.au](http://www.armorcases.com.au)