

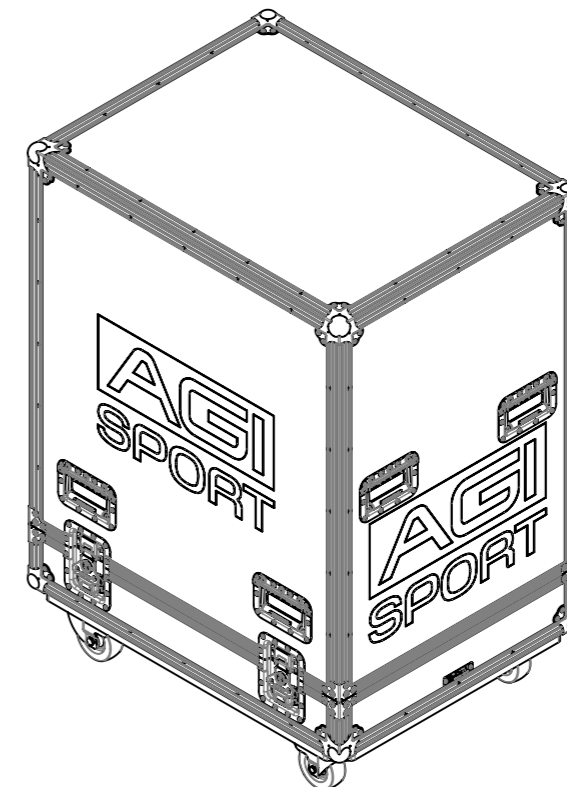
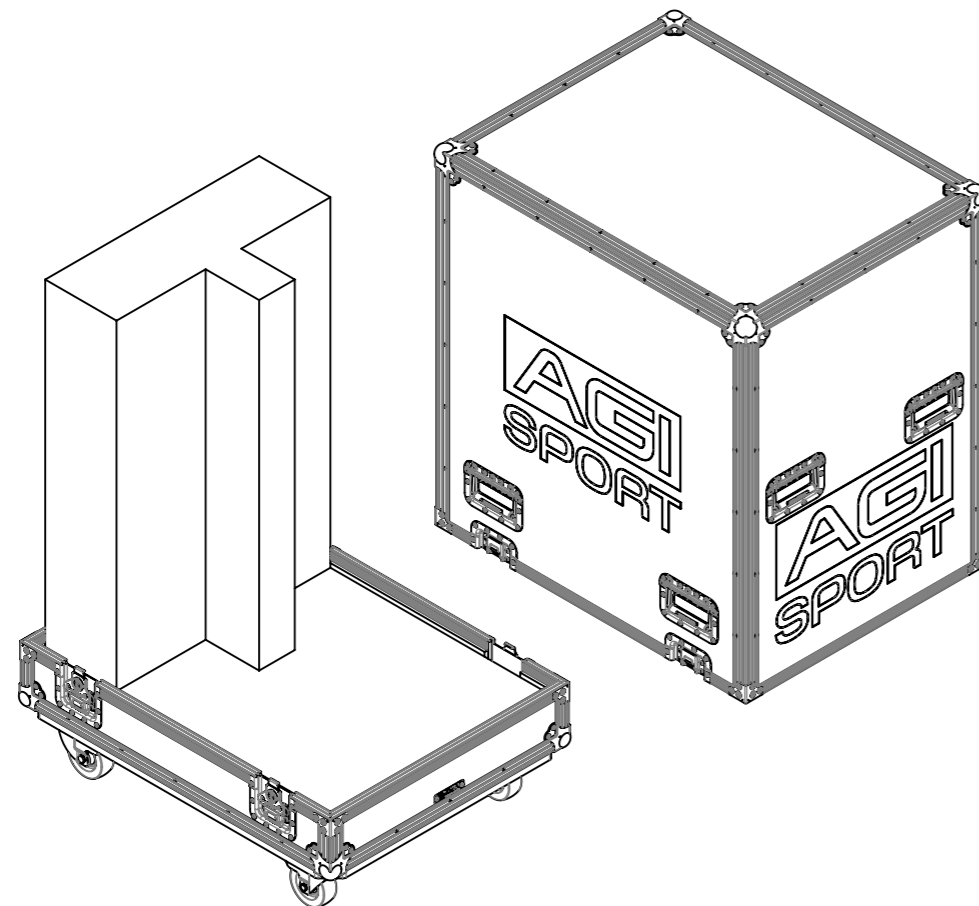
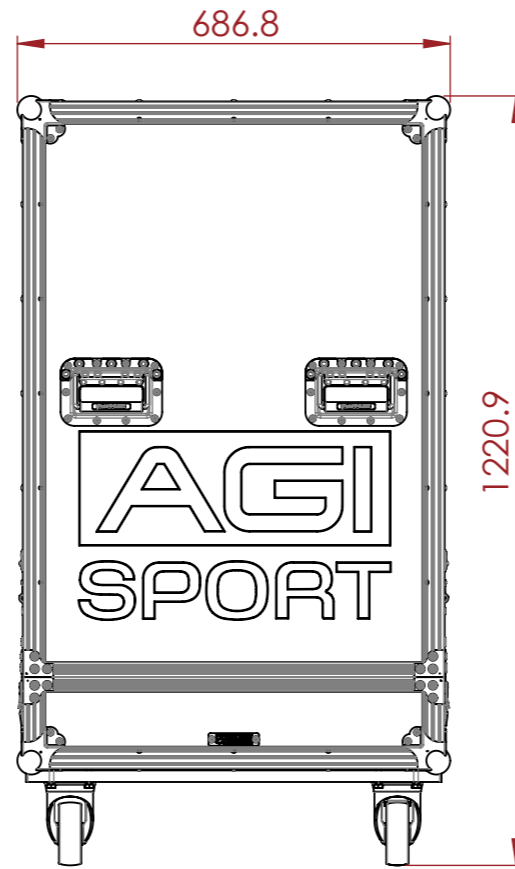
# PRODUCT FEATURES

## CONSTRUCTION

- 12MM BIRCH VENEER PLYWOOD WITH HPL EXTERIOR FACE AND PVC INTERIOR FACE
- PENN ELCOM HARDWARE

## FEATURES

- STORAGE SPACE FOR WHEEL BALANCE MACHINE
- FOAM LINING TO PROTECT THE EQUIPMENT
- 8X LARGE RECESSED HANDLES
- AGI LOGO ENGRAVED ON ALL SIDE OF THE CASE



### NOTES:

UNLESS SPECIFIED IN THE DRAWING, ALL PRODUCTS DISPLAYED IN THIS DRAWING OTHER THAN THE CASE ITSELF IS NOT PART OF OUR PRODUCT OFFERING.

ESTIMATED WEIGHT (CASE ONLY):

61.4 KG

ITEM CODE:

LOL-AGI-WBM

DRAWN BY:

K.I

CHECKED BY:

AS

SCALE:

NTS



MAIL : [sales@armorcases.com.au](mailto:sales@armorcases.com.au)  
WEB : [www.armorcases.com.au](http://www.armorcases.com.au)