

# PRODUCT FEATURES

## CONSTRUCTION

- 9MM BIRCH VENEER PLYWOOD WITH HPL EXTERIOR FACE AND PVC INTERIOR FACE
- PENN ELCOM HARDWARE

## INSTALLED EQUIPMENT (INCLUDED)

- 2X LARGE LATCHES
- 2X LARGE LIDSTAYS
- 8X LARGE RECESSED HANDLE
- 1X CORNER HANDLE
- 1X MEDIUM LABEL DISH

## FEATURES

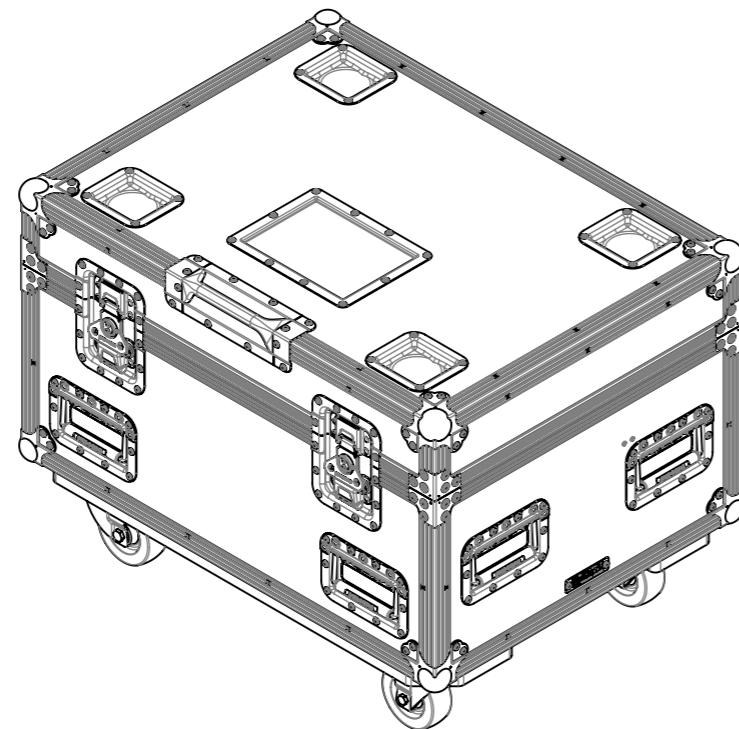
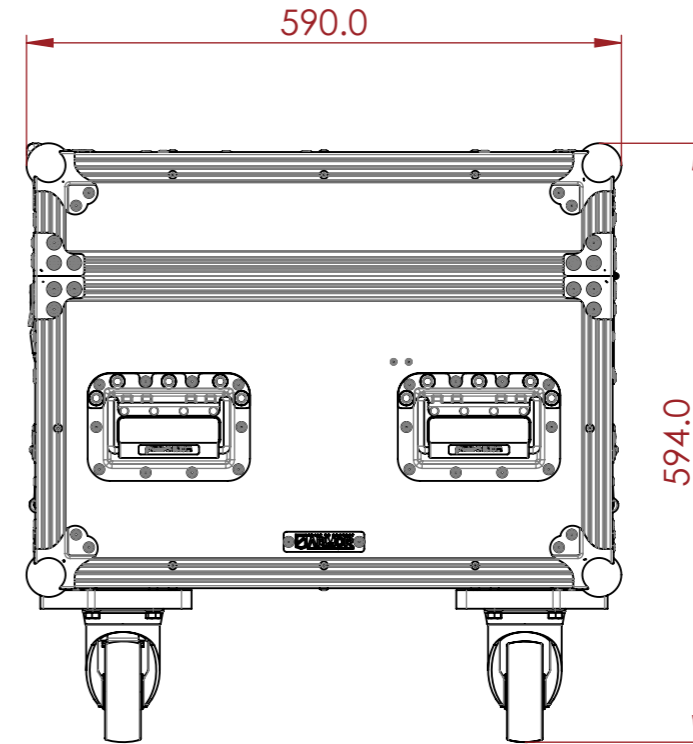
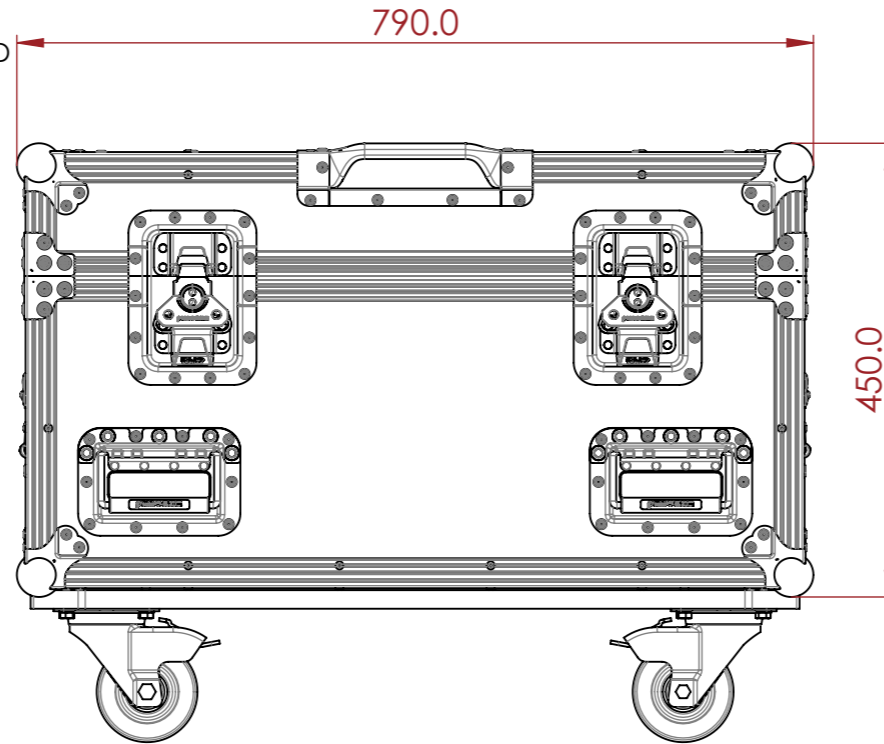
- HINGED LID DESIGN

## KEY MEASUREMENTS

- TRUCK FRIENDLY DIMENSION

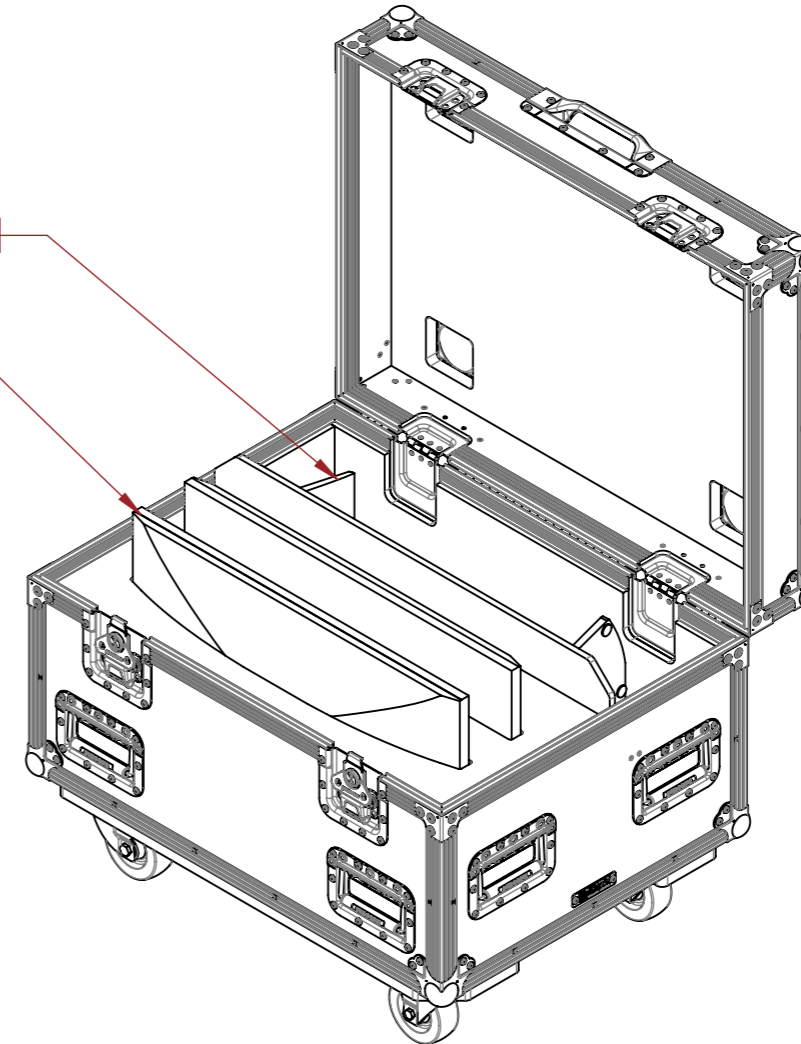
## DESIGN SPECIFICATIONS

- STANDS WILL BE BUBBLE WRAPPED BEFORE STORAGE



DELL-S272T STAND

DELL-S2721



### NOTES:

UNLESS SPECIFIED IN THE DRAWING, ALL PRODUCTS DISPLAYED IN THIS DRAWING OTHER THAN THE CASE ITSELF IS NOT PART OF OUR PRODUCT OFFERING.

ESTIMATED WEIGHT (CASE ONLY):

36.5 KG

ITEM CODE:

DISP-27D-DELL-S2721

DRAWN BY:

HA

CHECKED BY:

AS

SCALE:

NTS



MAIL : [sales@armorcases.com.au](mailto:sales@armorcases.com.au)  
 WEB : [www.armorcases.com.au](http://www.armorcases.com.au)