

NOTES:  
UNLESS SPECIFIED IN THE DRAWING,  
ALL PRODUCTS DISPLAYED IN THIS  
DRAWING OTHER THAN THE CASE  
ITSELF IS NOT PART OF OUR PRODUCT  
OFFERING.

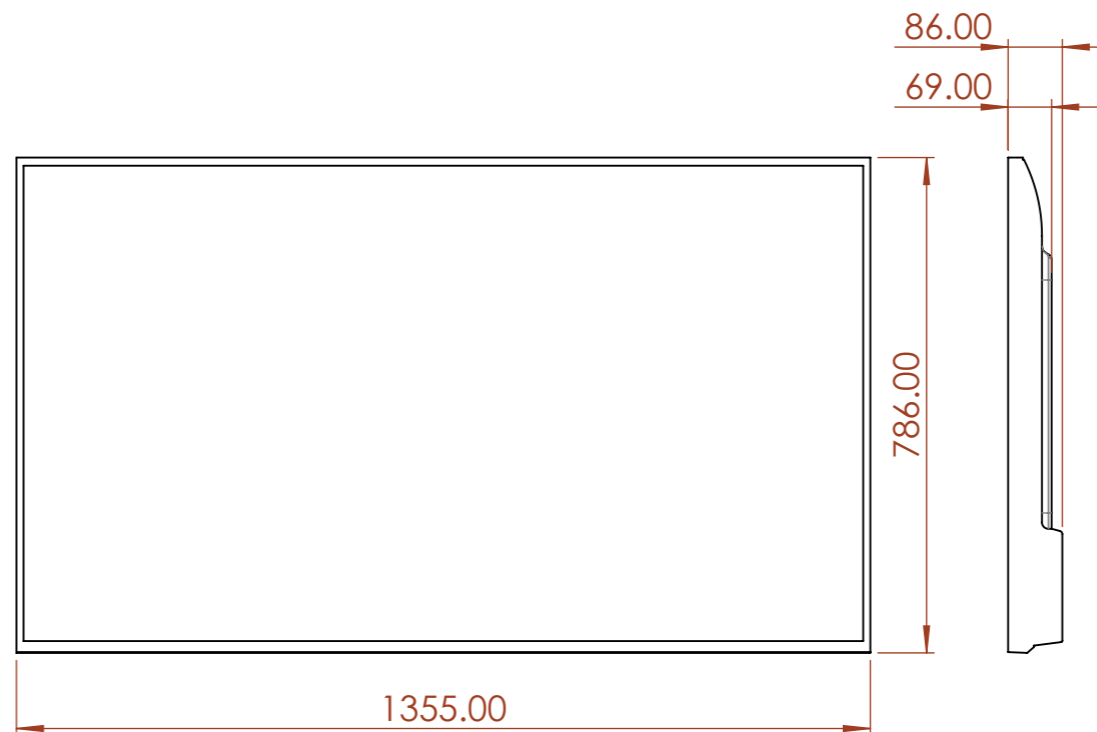
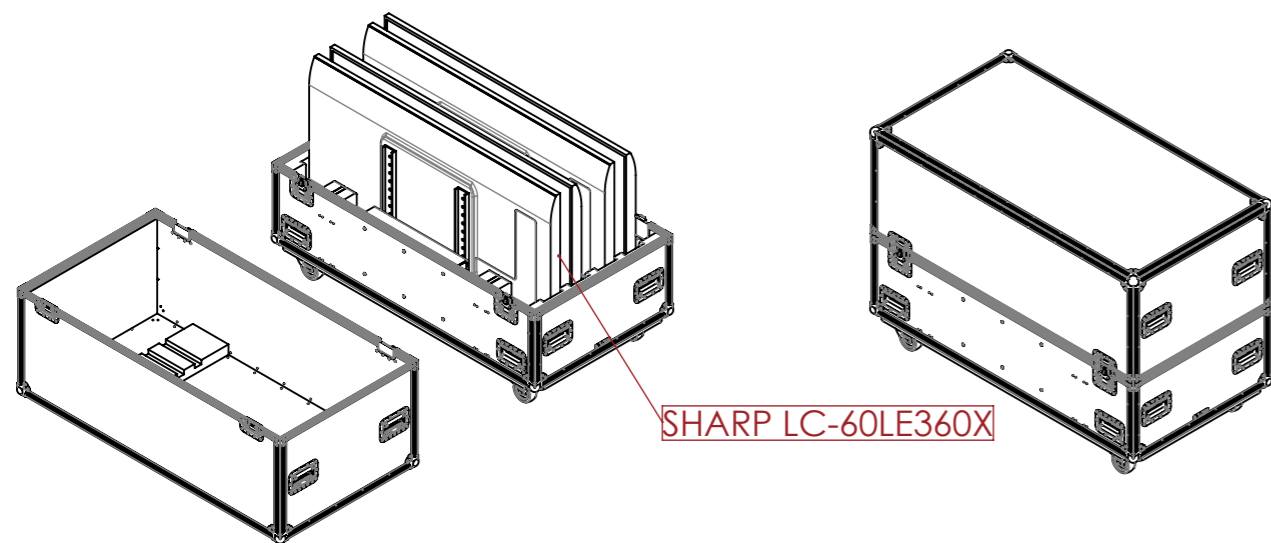
**PRODUCT FEATURES**

**CONSTRUCTION**

- 12MM BIRCH VENEER PLYWOOD WITH HPL EXTERIOR FACE AND PVC INTERIOR FACE
- 12X ERGONOMICALLY PLACED HANDLES FOR LIFTING AND TRANSPORTING
- LARGE LATCHES
- EVA38B FOAM PROTECTION
- 18MM PAIR CASTOR BOARD
- 4X 100MM CASTORS 2X BRAKED

**FEATURES**

- DEDICATED SPACE FOR 4X SHARP LC-60LE360X
- EASY TO USE LIFT-OFF-LID DESIGN
- TRUCK PACK FRIENDLY DIMENSIONS



ESTIMATED WEIGHT (CASE ONLY):  
**104.39 KG**

ITEM CODE:  
**TV-60Q-SRP-LC60LE360**

DRAWN BY: **HA**                      CHECKED BY: **AS**

SCALE:  
**NTS**



MAIL : [sales@armorcases.com.au](mailto:sales@armorcases.com.au)  
WEB : [www.armorcases.com.au](http://www.armorcases.com.au)