

## PRODUCT FEATURES

### CONSTRUCTION

- 12MM BIRCH VENEER PLYWOOD WITH HPL EXTERIOR FACE AND PVC INTERIOR FACE
- PENN ELCOM HARDWARE

### INSTALLED EQUIPMENT INCLUDED

- 4X 10RU RACK STRIPS LOCATED AT FRONT AND BACK ON THE TWO RACK BAYS
- 1X PUNCHED PATCH PANEL FOR D-SERIES CONNECTORS

### NOT INCLUDED

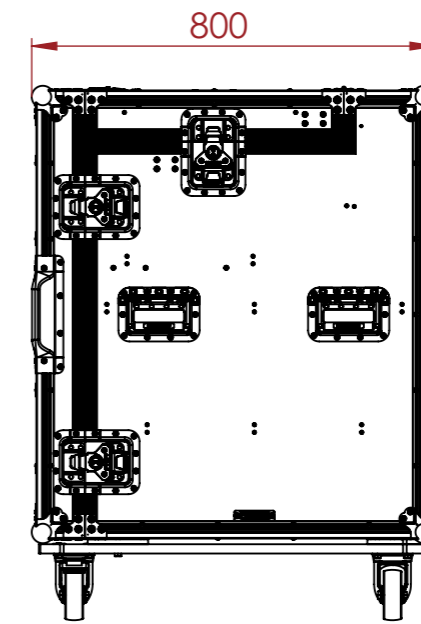
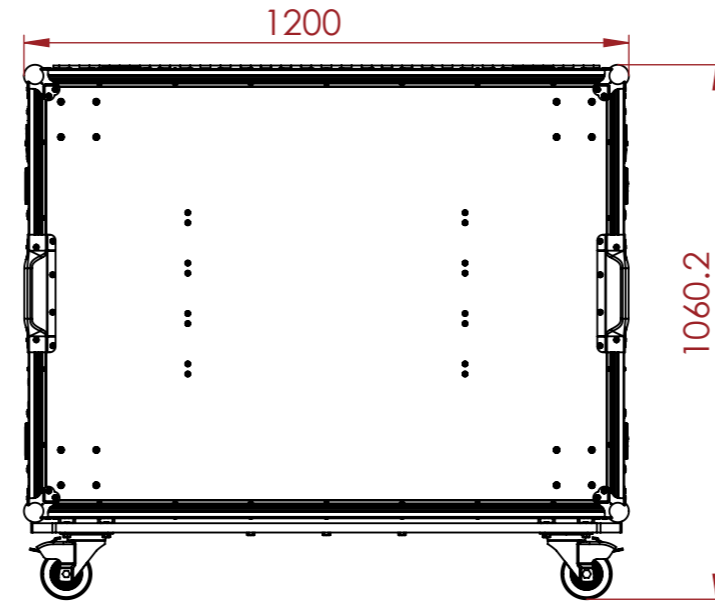
- 2X SMART SCOPE DUO 4K
- 2X DELL 2418HT MONITOR
- 1X MOUSE
- 1X KEYBOARD

### FEATURES

- FRONT LID CAN ACT AS TABLE FOR ADDITIONAL WORKSPACE
- SLAM LID AND HATCH DOOR LOCATED AT THE BACK
- PULL OUT PLATFORM THAT CAN BE LOCKED ON MINIMUM AND MAXIMUM POSITION
- GAS STRUT SUPPORTED TOP LID

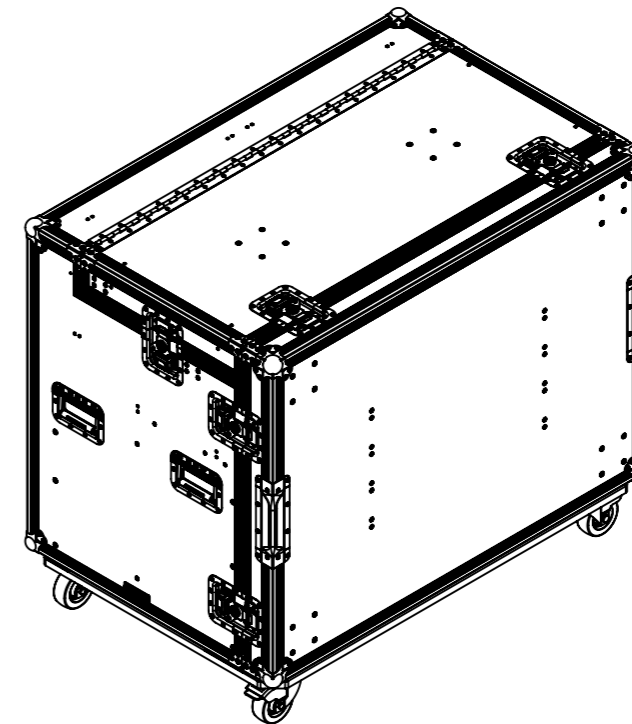
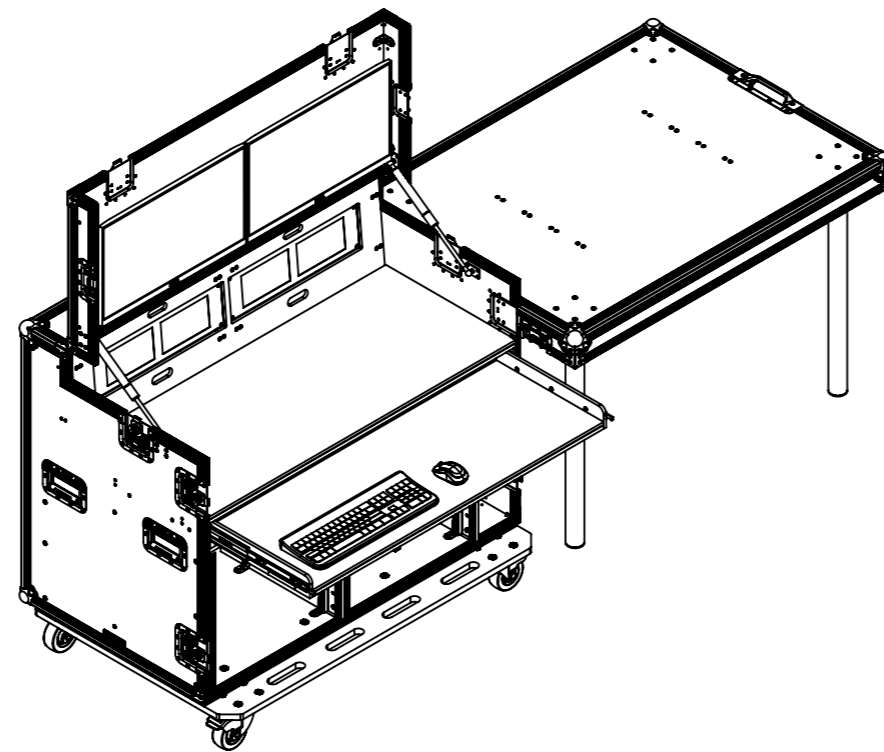
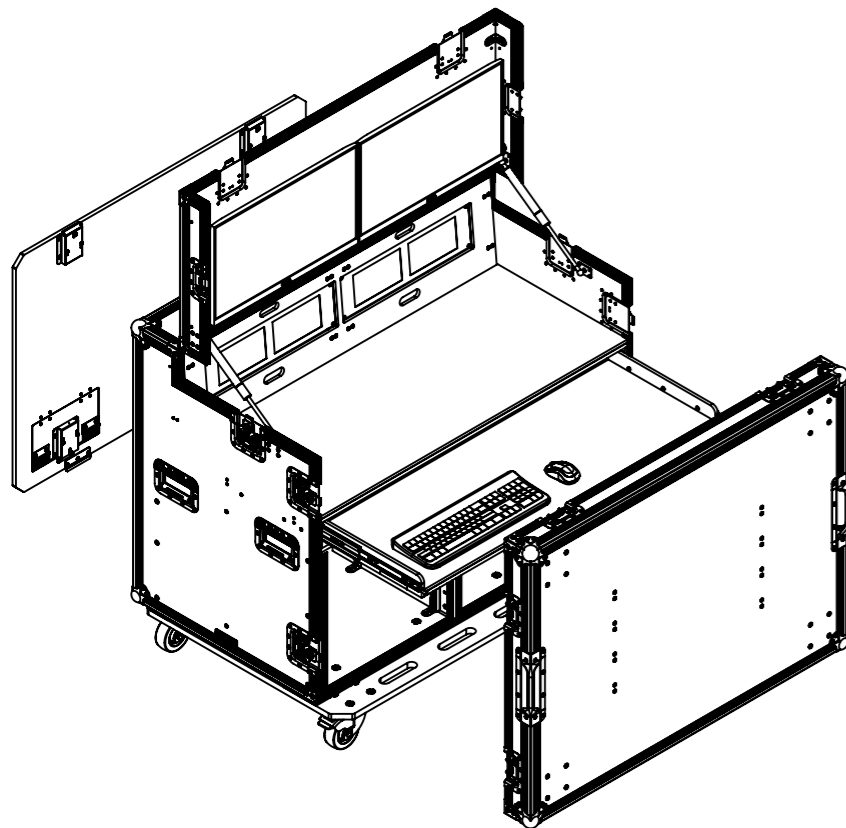
### KEY MEASUREMENTS

- WORK TABLE HEIGHT 760MM
- MAXIMUM HEIGHT WHEN THE TOP LID IS OPEN 1572.5MM
- FRONT AND REAR RACK STRIPS DISTANCE 619.6
- REAR RACK STRIPS TO REAR PANEL DISTANCE 50MM



### NOTES:

UNLESS SPECIFIED IN THE DRAWING, ALL PRODUCTS DISPLAYED IN THIS DRAWING OTHER THAN THE CASE ITSELF IS NOT PART OF OUR PRODUCT OFFERING.



ESTIMATED WEIGHT (CASE ONLY):

117.76KG

ITEM CODE:

WS-FP2-S

DRAWN BY:

RP

CHECKED BY:

AS

SCALE:

NTS



MAIL : [sales@armorcases.com.au](mailto:sales@armorcases.com.au)  
WEB : [www.armorcases.com.au](http://www.armorcases.com.au)