

PRODUCT FEATURES

CONSTRUCTION

- 12MM BIRCH VENEER PLYWOOD WITH HPL EXTERIOR FACE AND PVC INTERIOR FACE
- PENN ELCOM HARDWARE
- 18MM BIRCH PLYWOOD INSERT

INSTALLED EQUIPMENT (INCLUDED)

- ONE MONITOR VESA ATTACHMENTS FOR 24 IN MONITOR, 100 X 100 VESA MOUNTS
- PULLOUT DRAWER FOR KEYBOARD

FEATURES

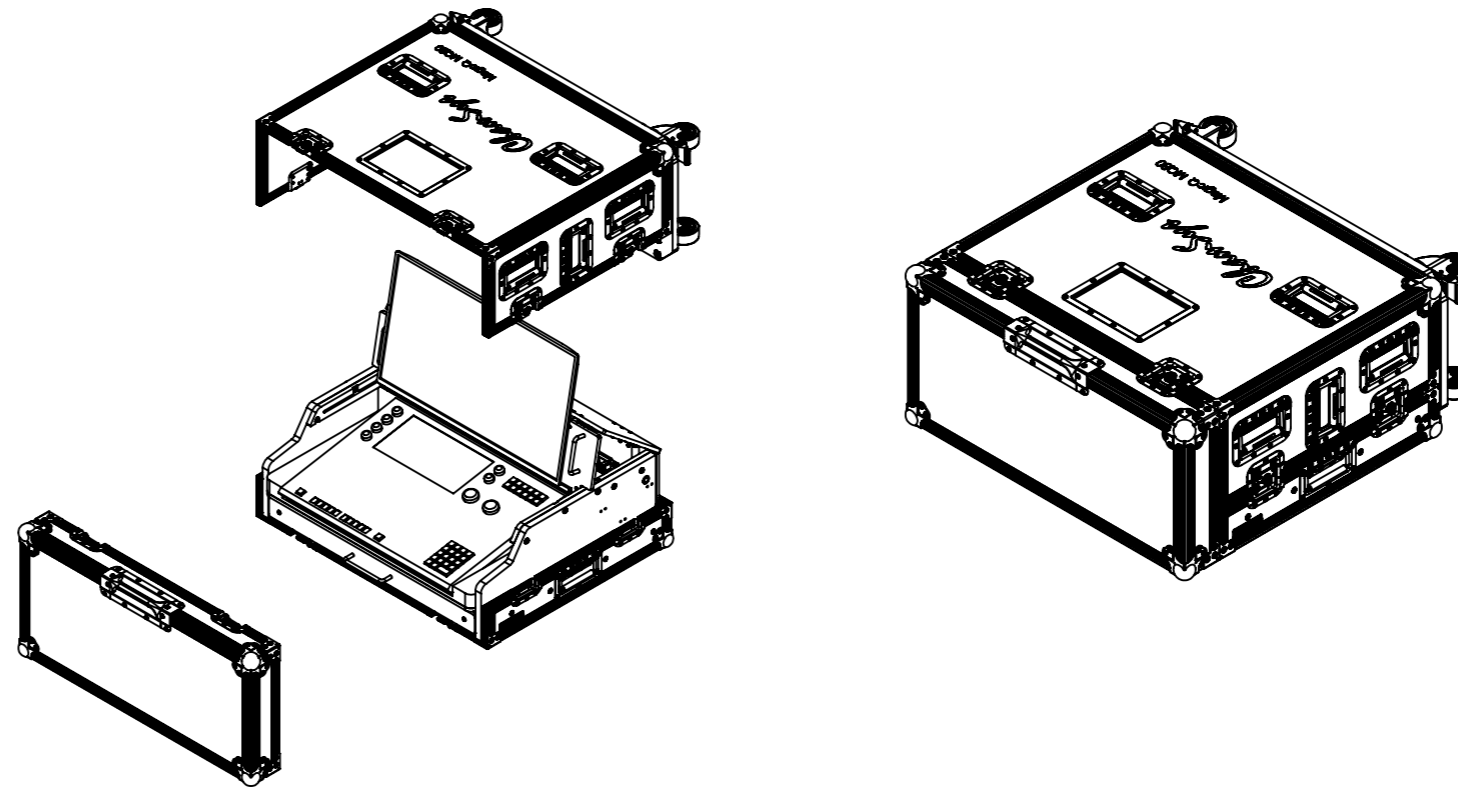
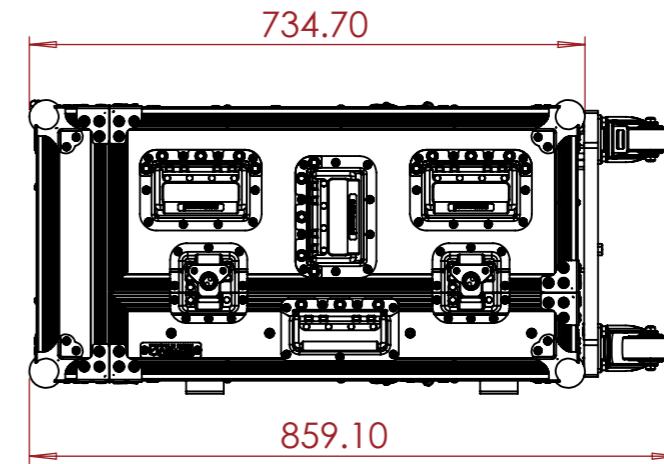
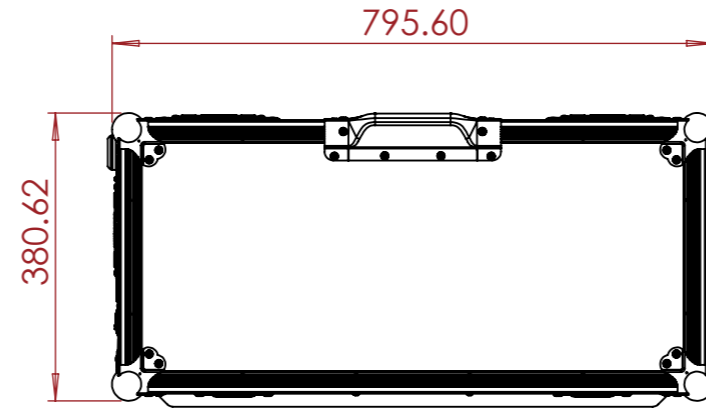
- GAS STRUT SUPPORTED CONSOLE DECK
- DETACHABLE CONSOLE DECK
- DOOR POCKETS

KEY MEASUREMENTS

- WORKBENCH HEIGHT AT 920MM
- FOLDABLE TABLE TOP HEIGHT 870MM

DESIGN SPECIFICATIONS

- EXTRA POCKETS TO STORE ACCESSORIES
- UNIT NEEDS TO HAVE REAR DOOR ACCESS
- GAS STRUTS TO BE USED INSTEAD OF RATCHET LID STAYS



NOTES:

UNLESS SPECIFIED IN THE DRAWING, ALL PRODUCTS DISPLAYED IN THIS DRAWING OTHER THAN THE CASE ITSELF IS NOT PART OF OUR PRODUCT OFFERING.

ESTIMATED WEIGHT (CASE ONLY):

50.97 KG

ITEM CODE:

LXCTRL-CMS-MQ80-P27 TECHNICAL

DRAWN BY:

HA

CHECKED BY:

AS

SCALE:

NTS



MAIL : sales@armorcases.com.au
WEB : www.armorcases.com.au