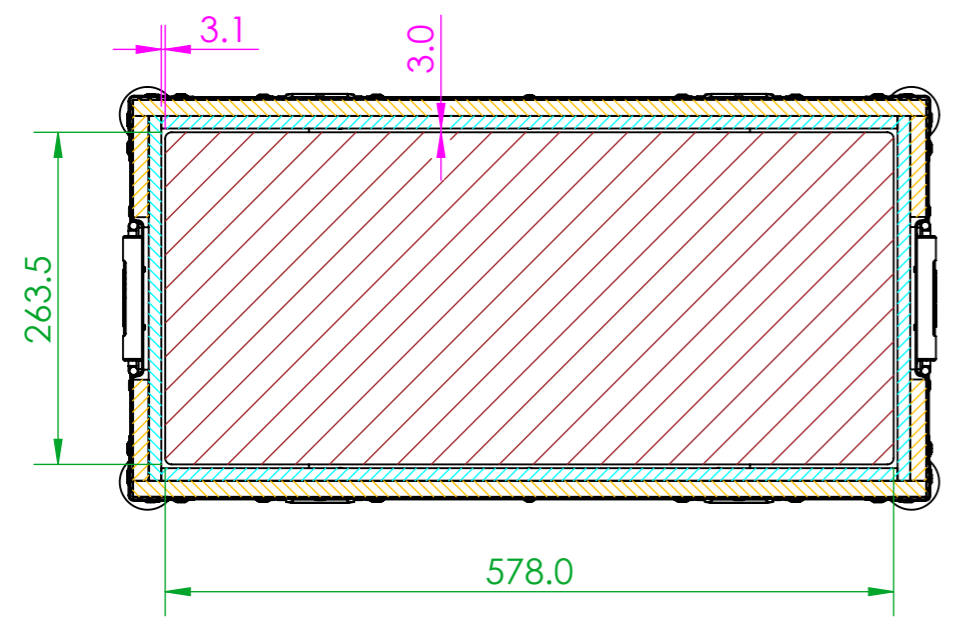
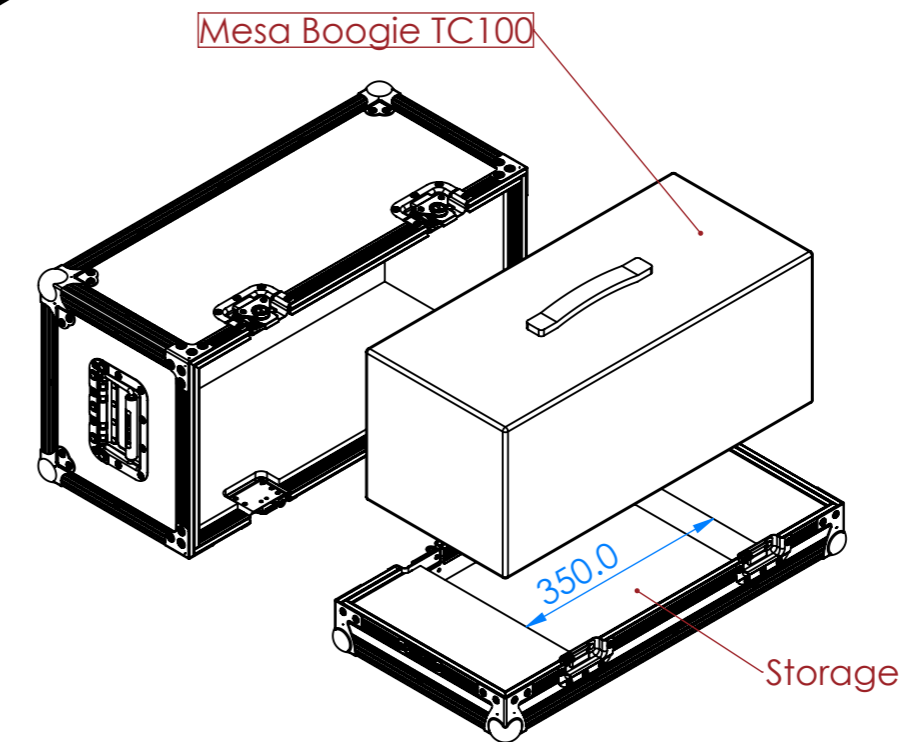
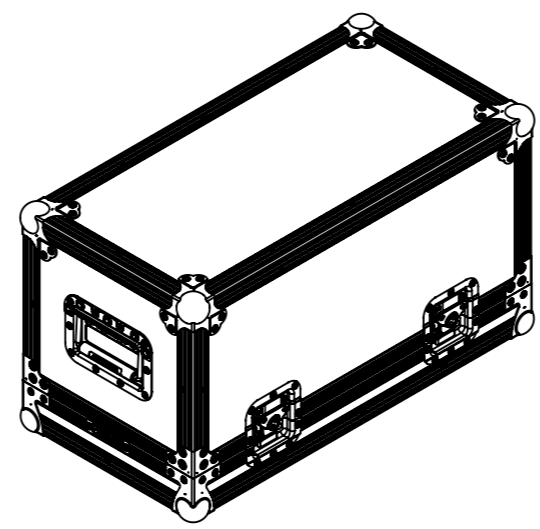







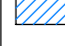


SECTION A-A
SCALE 1 : 6



SECTION B-B
SCALE 1 : 6



NOTES:
UNLESS SPECIFIED IN THE DRAWING,
ALL PRODUCTS DISPLAYED IN THIS
DRAWING OTHER THAN THE CASE
ITSELF IS NOT PART OF OUR PRODUCT
OFFERING.

-  CARPET
-  EVA FOAM
-  PLYWOOD
-  EXTERNAL DIMENSIONS
-  INTERNAL DIMENSIONS
-  TOLERANCES
-  EQUIPMENT DIMENSIONS
-  EPE 25 FOAM

| REV | DESCRIPTION | DATE |
|-----|----------------|------------|
| 0 | ORIGINAL ISSUE | 10/31/2022 |
| | | |
| | | |
| | | |
| | | |
| | | |
| | | |
| | | |
| | | |
| | | |

ESTIMATED WEIGHT (CASE ONLY):
13.17 KG

ITEM CODE:
AMP-MESA-TC100

DRAWN BY: **HA** CHECKED BY: **AS**

SCALE:
NTS



MAIL : sales@armorcases.com.au
WEB : www.armorcases.com.au