

MATERIAL : ALUMINUM

NOTES:

ESTIMATED WEIGHT:

N/A

ITEM CODE:

EXT-DA35

DRAWN BY:

RP

CHECKED BY:

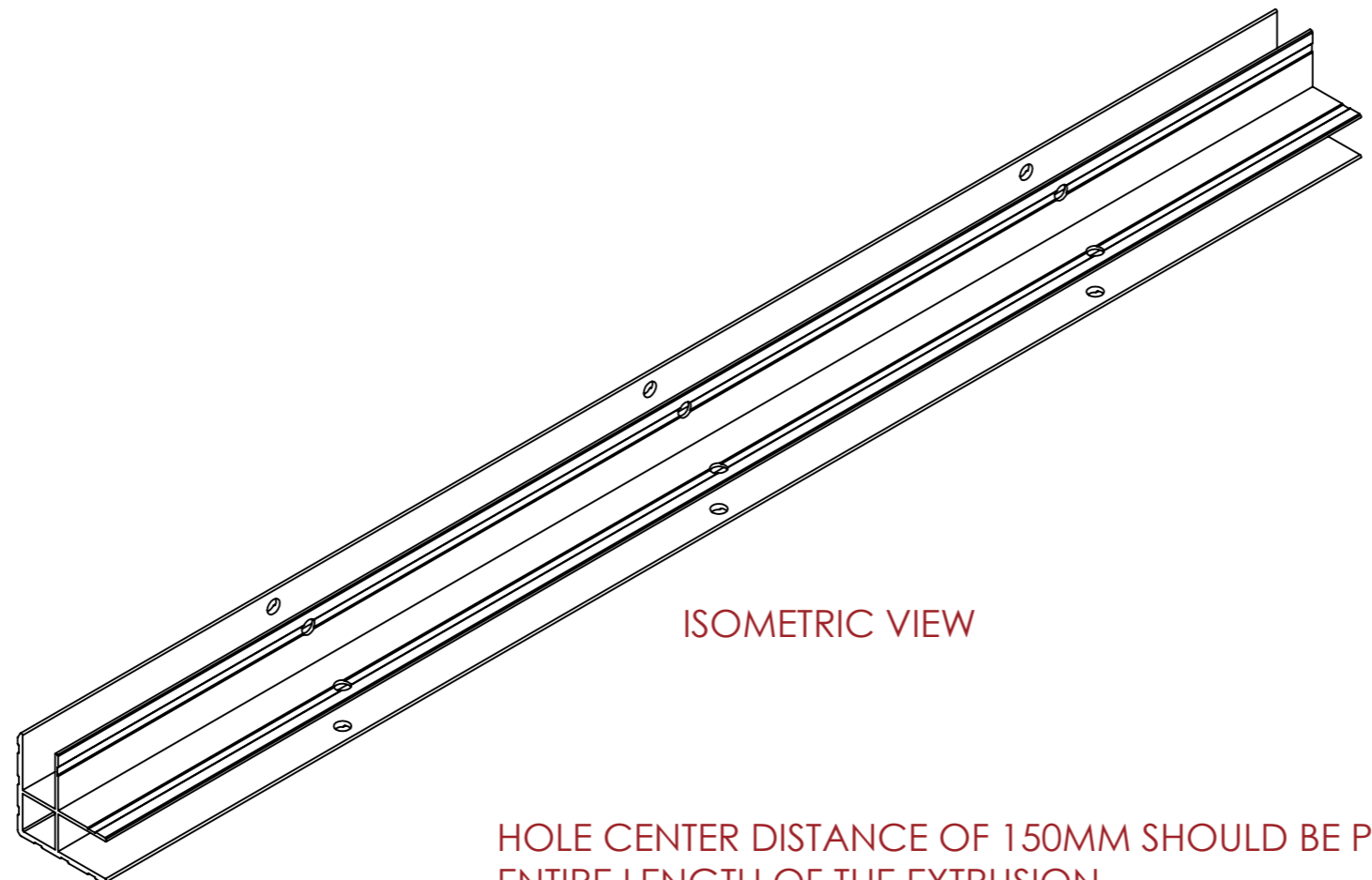
AS

SCALE:

NTS

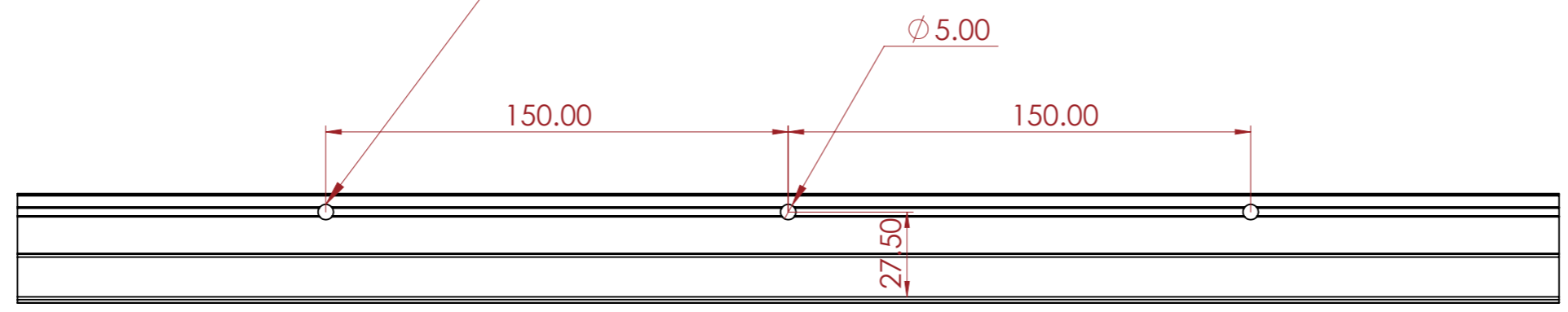


MAIL : [sales@armorcases.com.au](mailto:sales@armorcases.com.au)  
 WEB : [www.armorcases.com.au](http://www.armorcases.com.au)

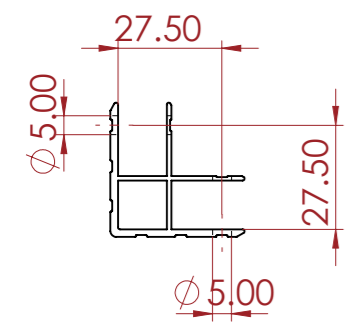


ISOMETRIC VIEW

HOLE CENTER DISTANCE OF 150MM SHOULD BE PUNCHED ON THE ENTIRE LENGTH OF THE EXTRUSION



FRONT VIEW



SIDE VIEW

NOTES:

ESTIMATED WEIGHT:

N/A

ITEM CODE:

EXT-DA35

DRAWN BY:

RP

CHECKED BY:

AS

SCALE:

NTS



MAIL : [sales@armorcases.com.au](mailto:sales@armorcases.com.au)  
WEB : [www.armorcases.com.au](http://www.armorcases.com.au)