

NOTES:
 Maximum Monitor Dimensions :
 493X305X70mm
 Monitor Mount(Included):
 VESA 100X100

CUSTOMER:

DUE DATE:

QUANTITY:

PANEL FINISH:
 P901A-9MM Black Hexa Glossy Exterior, Black Plastic Interior

HARDWARE:
 Penn & Armor Matt

DRAWING:
 ATEM Mini Pro Case

DRAWN BY: RP CHECKED BY: AS

SCALE: 1:7 REVISION: 0

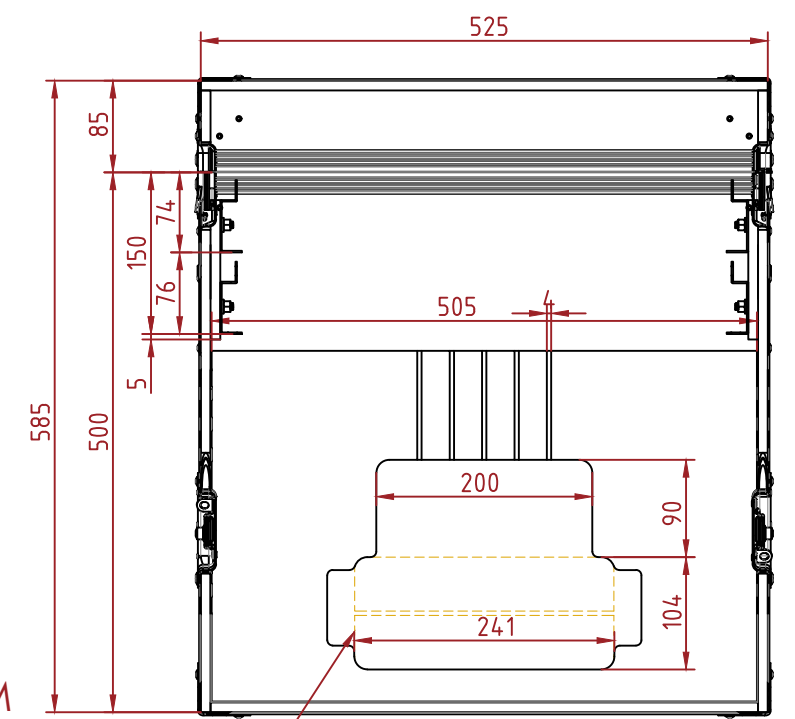
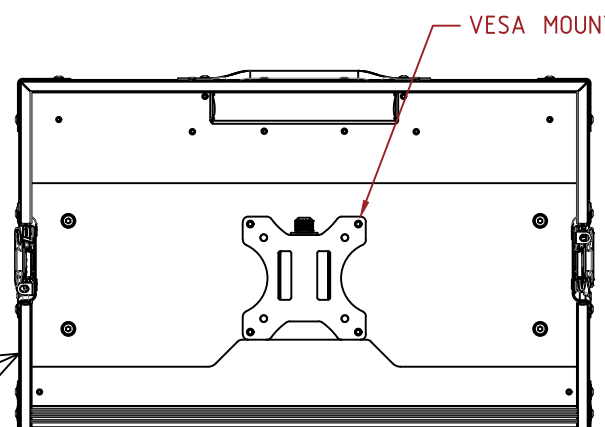
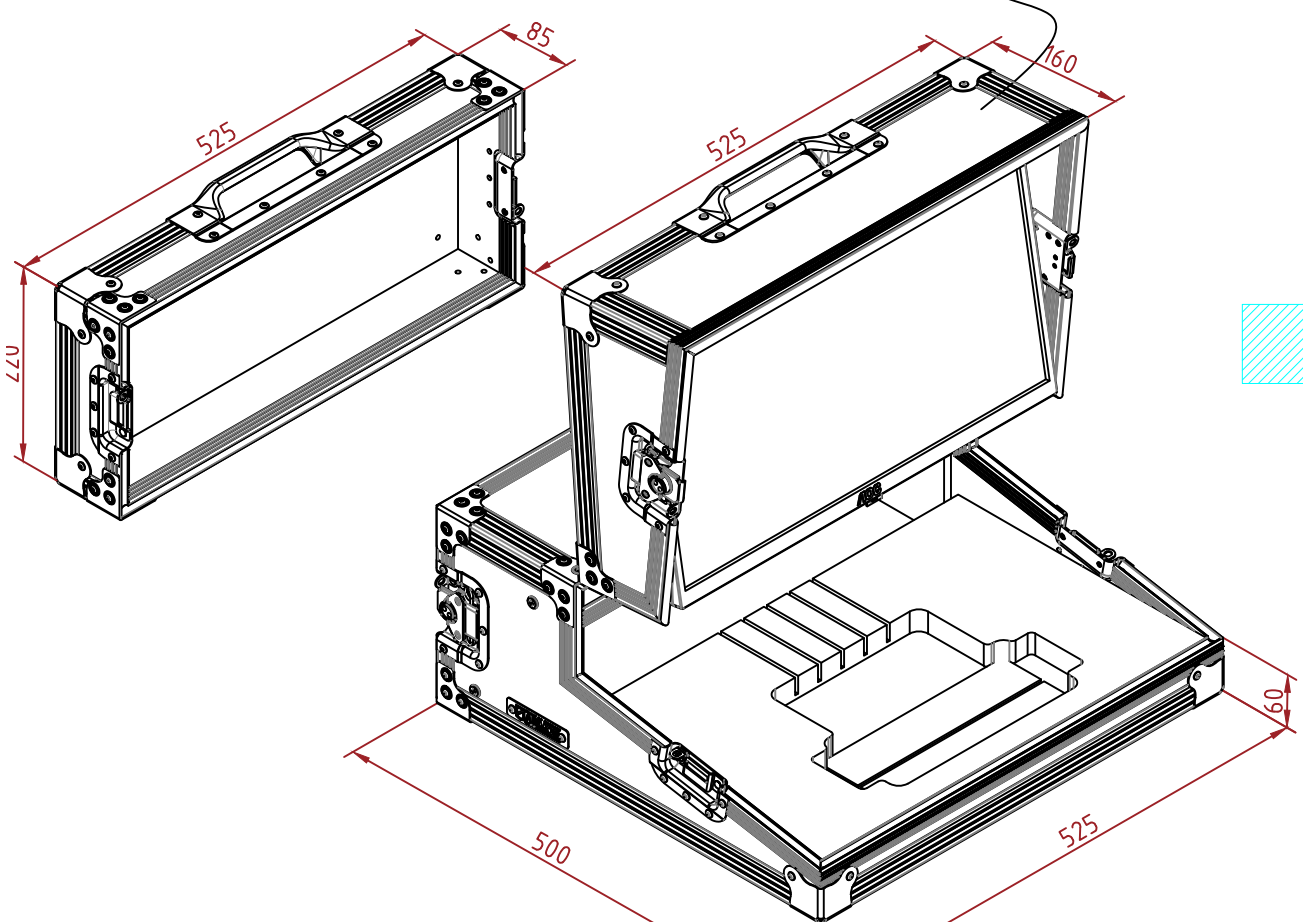
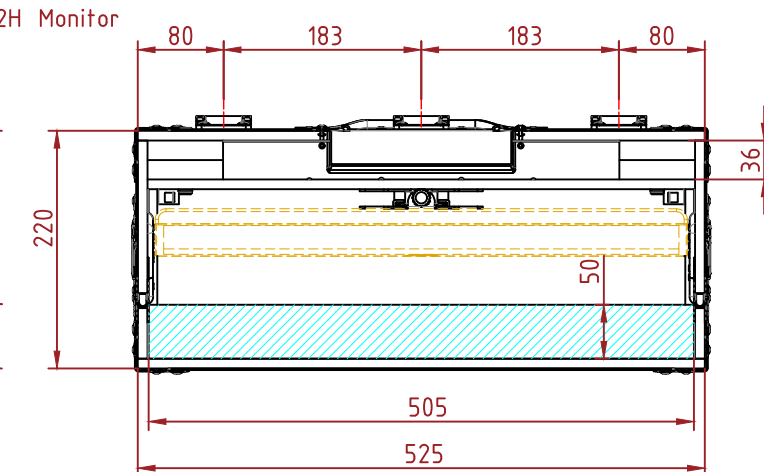
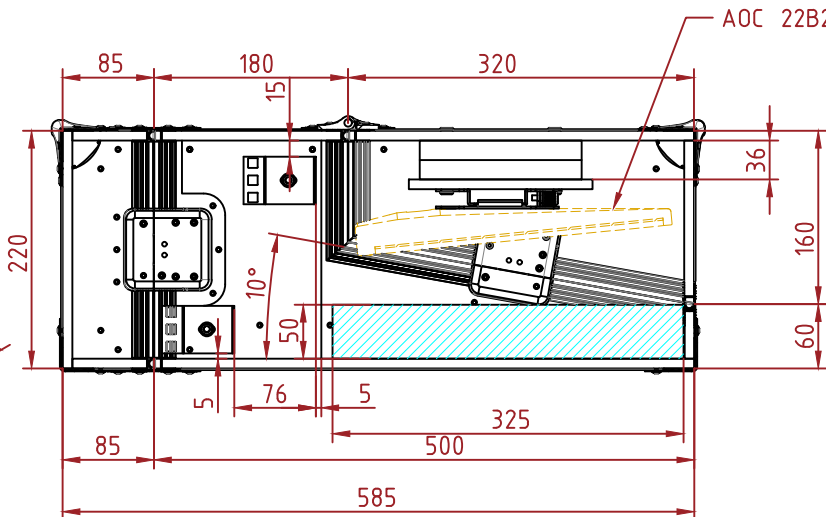
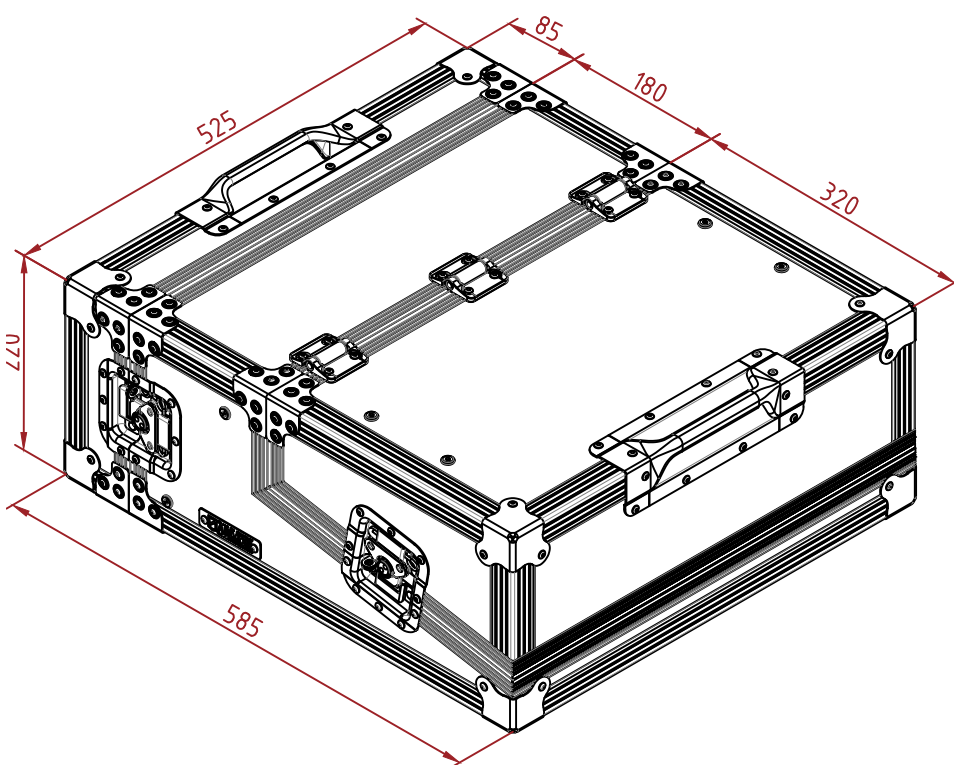
ITEM NO.	DESCRIPTION	PART NUMBER	QTY.
1	BRACES	YR-4501	12
2	FLAT CORNERS	C0675	8
3	LATCHES	L907-928PBZ	4
4	CORNER HANDLE	H2026	2
5	PLYWOOD PANEL 9mm	P901A	17
6	PLYWOOD PANEL 18mm	P1202	4
7	SINGLE ANGLE EXTRUSION	E-SA30	8
8	EDGE EXTRUSION	E-E25-T9	8
9	EDGE EXTRUSION	E-E25-G9	8
10	TORQUE HINGE	TH-15NM	3



ADD : 45/7-9 Percy St,Auburn,
 NSW 2144, Australia
 PH : 02 9188 6801
 MAIL : sales@armorcases.com.au
 WEB : www.armorcases.com.au

Maximum Monitor Dimensions :
493X305X70mm

Monitor Mount(Included):
VESA 100X100



 EVA FOAM

VELCRO STRIPS

CUSTOMER:

DUE DATE:

QUANTITY:

PANEL FINISH:
P901A-9MM Black Hexa Glossy Exterior, Black Plastic Interior

HARDWARE:
Penn & Armor Matt

DRAWING:
ATEM Mini Pro Case

DRAWN BY: RP CHECKED BY: AS

SCALE: 1:7 REVISION: 0

ITEM NO.	DESCRIPTION	PART NUMBER	QTY.
1	BRACES	YR-4501	12
2	FLAT CORNERS	C0675	8
3	LATCHES	L907-928PBZ	4
4	CORNER HANDLE	H2026	2
5	PLYWOOD PANEL 9mm	P901A	17
6	PLYWOOD PANEL 18mm	P1202	4
7	SINGLE ANGLE EXTRUSION	E-SA30	8
8	EDGE EXTRUSION	E-E25-T9	8
9	EDGE EXTRUSION	E-E25-G9	8



ADD : 45/7-9 Percy St,Auburn,
NSW 2144, Australia
PH: 02 9188 6801