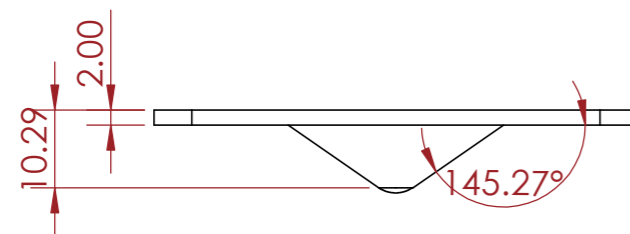
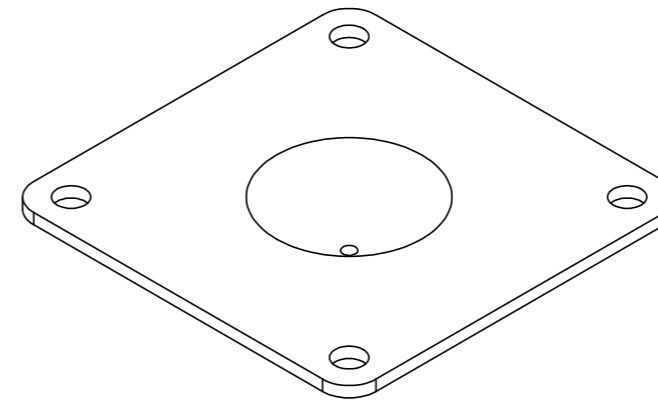
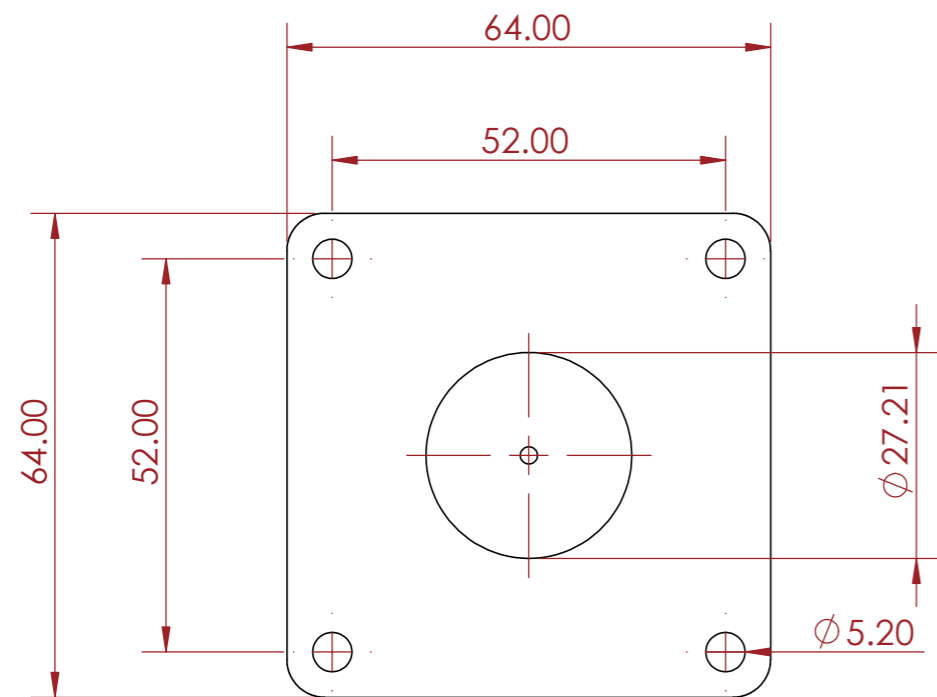


NOTES:
UNLESS SPECIFIED IN THE DRAWING,
ALL PRODUCTS DISPLAYED IN THIS
DRAWING OTHER THAN THE CASE
ITSELF IS NOT PART OF OUR PRODUCT
OFFERING.



ESTIMATED WEIGHT (CASE ONLY):

KG

ITEM CODE:

F6602

DRAWN BY:

IC

CHECKED BY:

SCALE:

NTS



MAIL : sales@armorcases.com.au
WEB : www.armorcases.com.au